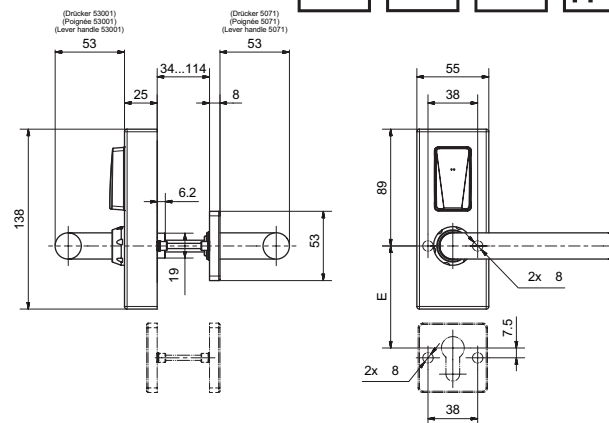
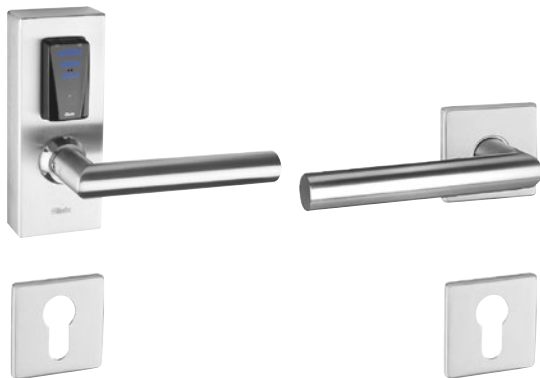
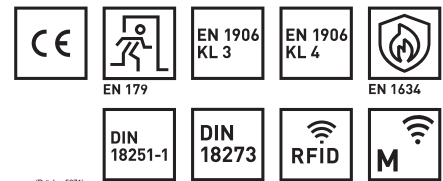


80525 E Organisation Fitting short

Public wide - steel



Product profile

Battery-operated electronic organisation fitting for solid-leaf interior doors. Opening and closing from outside take place with contact-free reading of the RFID medium. Door opening is always assured with the interior lever handle; EN179-compliant with suitable lever handle.

Standard version

- For DIN left-hand/right-hand doors
- Identification via RFID Mifare DESfire EV 1 (ISO 14443A)
- Programming via media or wireless access (868 MHz)
- External lever handle engaged, freewheeling
- Operated with 2 × AA lithium batteries

Options

- Glass mounting for 180° turned mounting on glass door lock

Scope of supply

- E fitting, lever handle
- 2 × AA lithium batteries
- Square spindle and screw set
- Installation key
- Quick guide

80525 · 1 · 2 · 3 · 4 · 5 · 6 · 7 · 8

1 Lever handle design	2 Square spindle	3 Surface	4 Door thickness	5 Fixing outside	6 interior rose	7 Cut-out outs.	8 Cut-out ins.
21 53001 [5071] Memphis	8 8 mm	00 Satin stainless steel	01 34 to 43 mm	0 Threaded cam M4	- Without	- Without escutcheon	
22 53002 [5066] Savannah	5 8,5 mm	11 Polished stain. steel	02 44 to 53 mm	1 Guided cam	1 8 mm round	0 Blind	
23 53004 [5064] Oslo	9 9 mm	22 Polished brass	03 54 to 63 mm	2 Glass mounting	2 8 mm angluar	2 RZ	
24 53010 [5057] Thun		33 Satin brass	04 64 to 73 mm		3 Piatto round	3 PZ	
25 53011 [5062] New Orleans		44 Anti-bacterial	05 74 to 83 mm		4 Piatto angluar	5 WC *	
26 53013 [5098] Olten		51 RAL 9005 black matt	06 84 to 93 mm				
34 50935 [5038] Lugano		55 Wrought iron look	07 94 to 103 mm				
35 50937 [5040] Merkur		99 Spec. execution	08 104 to 113 mm				
40 50970 [50070] Appenzell							
41 50971 [50071] Appenzell							
99 Spec. execution							

Glass mounting not in combination with cylinder rose

* WC with olive 7mm and red-green indicator

Technical changes reserved 0324