



Network

Bullet

ANO-L6082R

2MP IR Bullet Camera



Key Features

- Maximum 2MP resolution
- Color: 0.03Lux(F1.6, 1/30sec) BW : 0Lux (IR LED on)
- 3.3~10.3mm(3.1x) motorized varifocal
- Maximum 30fps@2MP all resolutions (H.265/H.264)
- H.265/H.264, MJPEG codec supported, Multiple streaming
- Day & Night (ICR), WDR (120dB)
- Tampering, Motion detection, Virtual area(Intrusion/Enter/Exit), Virtual line(Crossing/Direction)
- Micro SD/SDHC 1slot 32GB, PoE
- Hallway view (90°/270°), WiseStream II support
- IR viewable length 30m(98.43ft)
- IP66 support

ANO-L6082R

2MP IR Bullet Camera



Specifications

Video

Imaging Device	1/2.8" CMOS
Resolution	1920x1080, 1280x960, 1280x720, 800x600, 800x448, 720x576, 720x480, 640x480, 640x360
Max. Framerate	H.265/H.264 : Max. 30fps/25fps(60Hz/50Hz) MJPEG : Max. 10fps
Min. Illumination	Color: 0.03Lux(F1.6, 1/30sec) BW : 0Lux (IR LED on)

Lens

Focal Length (Zoom Ratio)	3.3~10.3mm(3.1x) motorized varifocal
Max. Aperture Ratio	F1.6(Wide) ~ F3.3(Tele)
Angular Field of View	H: 105.2°(Wide) ~ 30.6°(Tele) V: 54.8°(Wide) ~ 17.2°(Tele) D: 126.9°(Wide) ~ 35.1°(Tele)
Min. Object Distance	0.5m(1.64ft)
Focus Control	Simple focus
Lens Type	DC auto iris

Operational

Camera Title	Displayed up to 15 characters
Day & Night	Auto(ICR)
Backlight Compensation	BLC, WDR, SSSR
Wide Dynamic Range	120dB
Digital Noise Reduction	SSNR
Motion Detection	4ea, rectangler zones
Privacy Masking	6ea, rectangular zones
Gain Control	Low / Middle / High
White Balance	ATW / AWC / Manual / Indoor / Outdoor
LDC	Support
Electronic Shutter Speed	Minimum / Maximum / Anti flicker (2~1/12,000sec)
Video Rotation	Flip, Mirror, Hallway view(90/270)
Analytics	Motion detection, Tampering, Virtual area(Intrusion/Enter/Exit), Virtual line(Crossing/Direction)
Alarm Triggers	Analytics
Alarm Events	File upload via FTP and e-mail Notification via e-mail SD/SDHC recording at event triggers
IR Viewable Length	30m(98.43ft)

Network

Ethernet	RJ-45(10/100BASE-T)
Video Compression	H.265/H.264 : Main/High, MJPEG
Smart Codec	WiseStream II
Bitrate Control	H.265/H.264: CBR or VBR MJPEG: VBR
Streaming	Unicast(6 users) / Multicast Multiple streaming (Up to 3 profiles)

Protocol	IPv4, IPv6, TCP/IP, UDP/IP, RTP(UDP), RTP(TCP), RTCP, RTSP, NTP, HTTP, HTTPS, SSL/TLS, DHCP, FTP, SMTP, ICMP, IGMP, SNMPv1/v2c/v3(MIB-2), ARP, DNS, DDNS, QoS, UPnP, Bonjour
Security	HTTPS(SSL) Login Authentication Digest Login Authentication IP Address Filtering User access log 802.1X Authentication(EAP-TLS, EAP-LEAP)
Application Programming Interface	ONVIF Profile S/G/T SUNAPI(HTTP API)

General

Webpage Language	English
Edge Storage	Micro SD/SDHC 1slot 32GB
Memory	512MB RAM, 256MB Flash

Environmental & Electrical

Operating Temperature / Humidity	-30°C ~ +55°C(-22°F ~ +131°F) / Less than 95% RH * Start up should be done at above -20°C(-4°F)
Storage Temperature / Humidity	-30°C ~ +55°C(-22°F ~ +131°F) / Less than 95% RH
Certification	IP66
Input Voltage	PoE(IEEE802.3af, Class3)
Power Consumption	Max 7.0W, Typical 5.0W

Mechanical

Color / Material	White / Plastic
RAL Code	RAL9003
Product Dimensions / Weight	Ø78.0x262.0mm(Ø3.07x10.31"), 390g(0.86lb)
Backbox	SBV-A14B

DORI (EN62676-4 standard)

Detect (25PPM/ 8PPF)	Wide: 29.4m(96.32ft) / Tele: 140.4m(460.52ft)
Observe (63PPM/ 19PPF)	Wide: 11.7m(38.53ft) / Tele: 56.1m(184.21ft)
Recognize (125PPM/ 38PPF)	Wide: 5.9m(19.26ft) / Tele: 28.1m(92.10ft)
Identify (250PPM/ 76PPF)	Wide: 2.9m(9.63ft) / Tele: 14.0m(46.05ft)

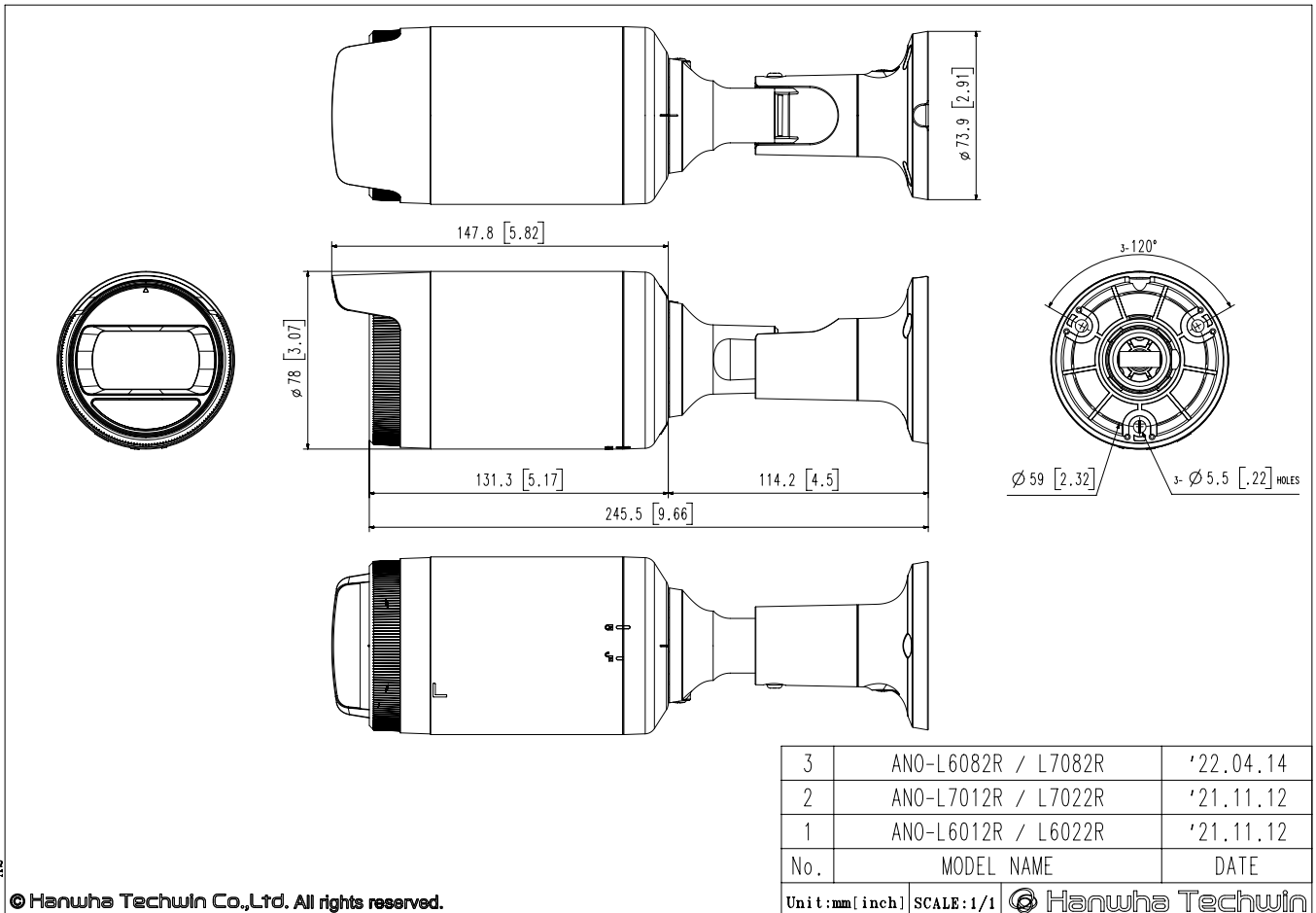
ANO-L6082R

2MP IR Bullet Camera



CAD

Unit: mm [inch]



A2

© Hanwha Techwin Co., Ltd. All rights reserved.