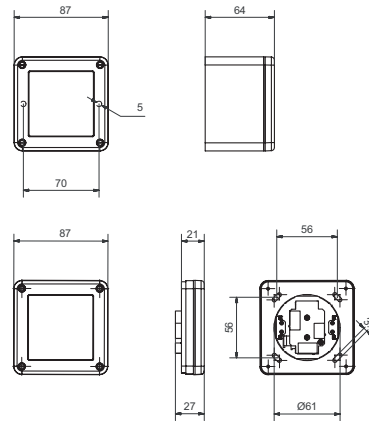
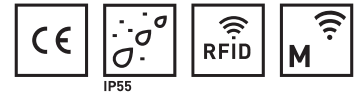


82620 I/O-Module 2R2I for outdoor applications



Product profile

I/O-Module, Feller (IP55) for outdoor applications. The I/O module serves as a remote processing unit for use with E readers or E hardware. The I/O modules are available in IP55 design.

Standard version

- Design Feller IP55
- Communication radio 868 MHz or RS485 Bus
- Frame for flush mounting IP55
- controller housing for surface mounting IP 55 height 64 mm
- Network operation (12-24 Vdc)
- 2x Switch contacts potential free
- 2x Inputs

Scope of supply

- I/O-Module
- Quick guide

Important note

Operate the I/O-module, with direct current only.
RFID is only active when pairing for card programming.
Order AP housing or flush-mounted frame, both are not possible.

82620 · ① · ② · ③ · ④

① Power supply	② AP-housing	③ UP Frame	④ Front
11 External, bus	10 Black IP55 11 White IP55 00 No AP-Housing	00 No UP Frame 10 Black IP55 11 White IP55	10 Black IP55 11 White IP55