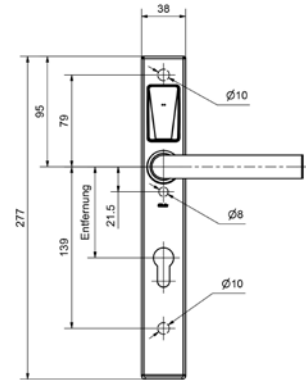
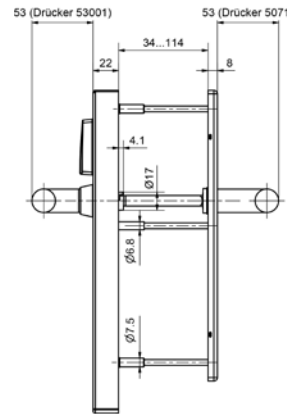
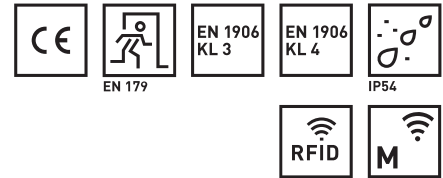


## 80550 E Organisation Fitting

Public, narrow - steel - with interior plate - 79/21.5/139



### Product profile

Battery-operated electronic organisation fitting for metal frame interior doors. Opening and closing from outside take place with contact reading of the RFID-medium. Door opening is always assured with the interior lever handle; EN179-compliant with suitable lever handle.

### Scope of supply

- E-fitting incl. interior plate
- Lever handle pair
- Square spindle and screw set
- Battery pack
- Quick guide

### Standard version

- For DIN left-hand/right-hand doors
- Identification via RFID Mifare DESfire EV 1 (ISO 14443A)
- Programming via media or wireless access (868 MHz)
- External lever handle engaged, freewheeling

### 80550 · 1 · 2 · 3 · 4 · 5 · 6 · 7 · 8 · 9

1 Power supply	2 Cut-out outs. 3 Cut-out ins.	4 Dis- tance	5 Lever handle design	6 Square spindle	7 Surface	8 Door thickness	9 Protection rose
<b>00 Lithium Battery</b>	<b>0</b> Blind	<b>00</b> Blind	<b>21</b> 53001 (5071) Memphis	<b>8</b> 8 mm	<b>00</b> Satin stainless steel	<b>01</b> 34 to 43 mm	<b>00 None/Blind</b>
	<b>2</b> RZ	<b>55</b> 55 mm	<b>22</b> 53002 (5066) Savannah	<b>5</b> 8,5 mm	<b>11</b> Polished stain. steel	<b>02</b> 44 to 53 mm	
	<b>3</b> PZ	<b>70</b> 70 mm	<b>23</b> 53004 (5064) Oslo	<b>9</b> 9 mm	<b>22</b> Polished brass	<b>03</b> 54 to 63 mm	
	<b>4</b> PRZ	<b>72</b> 72 mm	<b>24</b> 53010 (5057) Thun		<b>33</b> Satin brass	<b>04</b> 64 to 73 mm	
		<b>74</b> 74 mm	<b>25</b> 53011 (5062) New Orleans		<b>44</b> Anti-bacterial	<b>05</b> 74 to 83 mm	
		<b>78</b> 78 mm	<b>26</b> 53013 (5098) Olten		<b>55</b> Wrought iron look	<b>06</b> 84 to 93 mm	
		<b>85</b> 85 mm	<b>31</b> 53003 (5059) Oslo angled		<b>99</b> Spec. execution	<b>07</b> 94 to 103 mm	
		<b>88</b> 88 mm	<b>32</b> 53012 (5072) Memphis angled			<b>08</b> 104 to 113 mm	
		<b>90</b> 90 mm	<b>33</b> 53009 (5066) Savannah angled				
		<b>92</b> 92 mm	<b>34</b> 50935 (5038) Lugano				
		<b>94</b> 94 mm	<b>35</b> 50937 (5040) Merkur				
			<b>36</b> 50936 (5038V) Lugano angled				
			<b>37</b> 50938 (50040) Merkur				
			<b>38</b> 50939 (50041) Merkur angled				
			<b>39</b> 50939 (50042) Merkur angled				
			<b>40</b> 50970 (50070) Appenzell				
			<b>41</b> 50971 (50071) Appenzell				
			<b>99</b> Spec. execution				

RZ: 74, 78, 90, 94 mm; PZ: 55, 70, 72, 78, 85, 88, 90, 92 mm; PRZ: 74, 78, 90, 94 mm