

XND-6081F

2MP Network Dome Camera

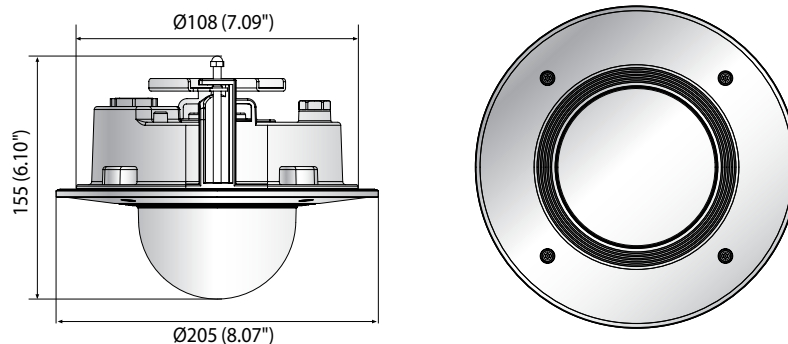


Key Features

- Max. 2Megapixel resolution
- 0.015Lux@F1.4 (Color), 0.0015Lux@F1.4 (B/W)
- Day & Night (ICR), WDR (150dB)
- Modular structure, Hallway View, WiseStreamII Support
- Video & audio analytics, Audio playback
- DIS and shock detection with built-in gyro sensor
- IP52, Plenum rate(UL2820), PoE, 12VDC

Dimensions

Unit : mm (inch)



XND-6081F

VIDEO	
Imaging Device	1/2.8" 2MP CMOS
Effective Pixels	1945(H) x 1097(V)
Min. Illumination	Color : 0.015Lux (F1.4, 1/30sec) BW : 0.0015Lux (F1.4, 1/30sec)
Video Out	CVBS : 1.0Vp-p / 75Ω composite, 720 x 480(N), 720 x 576(P) for installation USB : Micro USB Type B, 1280 x 720 for installation
LENS	
Focal Length (Zoom Ratio)	2.8~12mm(4.3x) motorized varifocal
Max. Aperture Ratio	F1.4(Wide) ~ F3.6(Tele)
Angular Field of View	H : 119.5°(Wide)~27.9°(Tele) V : 62.8°(Wide)~15.7°(Tele) D : 142.1°(Wide)~32.0°(Tele)
Min. Object Distance	0.5m(1.64ft)
Focus Control	Simple focus
Lens Type	DC auto iris, P iris
PAN / TILT / ROTATE	
Pan / Tilt / Rotate Range	0°~360° / -45°~85° / 0°~355°
OPERATIONAL	
Camera Title	Displayed up to 85 characters
Day & Night	Auto (ICR)
Backlight Compensation	BLC, HLC, WDR, SSSR
Wide Dynamic Range	150dB
Digital Noise Reduction	SSNR V
Digital Image Stabilization	Support (built-in gyro sensor)
Defog	Support
Motion Detection	8ea, 8point polygonal zones 32ea, polygonal zones
Privacy Masking	- Color : Grey / Green / Red / Blue / Black / White - Mosaic
Gain Control	Low / Middle / High
White Balance	ATW / AWC / Manual / Indoor / Outdoor
LDC	Support
Electronic Shutter Speed	Minimum / Maximum / Anti flicker (2~1/12,000sec)
Digital PTZ	Support (Preset, Group)
Video Rotation	Flip, Mirror, Hallway view (90°/270°)
Analytics	Defocus detection, Directional detection, Fog detection, Face detection, Motion detection, Digital auto tracking, Appear/Disappear, Enter/Exit, Loitering, Tampering, Virtual line, Audio detection, Sound classification, Shock detection
Business Intelligence	People counting, Queue management, Heatmap
Alarm I / O	Input 1ea / Output 1ea
Alarm Triggers	Analytics, Network disconnect, Alarm input
Alarm Events	File upload via FTP and e-mail Notification via e-mail SD/SDHC/SDXC or NAS recording at event triggers Alarm output Handover Audio playback
Audio In	Selectable (mic in/line in) Supply voltage : 2.5VDC(4mA), Input impedance : approx. 2K Ohm
Audio Out	Line out, Max.output level : 1Vrms

XND-6081F

NETWORK	
Ethernet	RJ-45 (10/100BASE-T)
Video Compression	H.265/H.264 : Main / Baseline / High, MJPEG
Resolution	1920x1080, 1280x1024, 1280x960, 1280x720, 1024x768, 800x600, 800x448, 720x576, 720x480, 640x480, 640x360, 320x240
Max. Framerate	H.265/H.264 : Max. 60fps/50fps (60Hz/50Hz) MJPEG : Max. 30fps/25fps (60Hz/50Hz)
Smart Codec	Manual (5ea area), WiseStream II
Video Quality Adjustment	H.264/H.265 : Target bitrate level control MJPEG : Target bitrate level control
Bitrate Control	H.264/H.265 : CBR or VBR MJPEG : VBR
Streaming	Unicast (20 users) / Multicast Multiple streaming (Up to 10 profiles)
Audio Compression	G.711 u-law / G.726 Selectable G.726 (ADPCM) 8KHz, G.711 8KHz G.726 : 16Kbps, 24Kbps, 32Kbps, 40Kbps AAC-LC : 48Kbps at 16KHz
Protocol	IPv4, IPv6, TCP/IP, UDP/IP, RTP(UDP), RTP(TCP), RTCP, RTSP, NTP, HTTP, HTTPS, SSL/TLS, DHCP, FTP, SMTP, ICMP, IGMP, SNMPv1/v2c/v3(MIB-2), ARP, DNS, DDNS, QoS, PIM-SM, UPnP, Bonjour, LLDP
Security	HTTPS(SSL) login authentication Digest login authentication IP address filtering User access log 802.1X authentication (EAP-TLS, EAP-LEAP)
Edge Storage	Micro SD/SDHC/SDXC 2slot 512GB
Application Programming Interface	ONVIF Profile S/G/T SUNAPI (HTTP API) Wisenet open platform
Webpage Language	English, Korean, Chinese, French, Italian, Spanish, German, Japanese, Russian, Swedish, Portuguese, Czech, Polish, Turkish, Dutch, Hungarian, Greek
Web Viewer	Supported OS : Windows 7, 8.1, 10, Mac OS X 10.10, 10.11, 10.12 Recommended Browser : Google Chrome Supported Browser: MS Explorer11, MS Edge, Mozilla Firefox (Windows 64bit only), Apple Safari (Mac OS X only)
Memory	1024MB RAM, 256MB Flash
ENVIRONMENTAL	
Operating Temperature / Humidity	-25°C ~ +60°C (-13°F ~ +140°F) / Less than 90% RH
Storage Temperature / Humidity	-50°C ~ +60°C (-58°F ~ +140°F) / Less than 90% RH
Certification	IP52 / Plenum rate (UL2820)
ELECTRICAL	
Input Voltage	PoE (IEEE802.3af, Class3), 12VDC
Power Consumption	PoE : Max 7.0W, typical 4.20W 12VDC : Max 5.4W, typical 3.10W
MECHANICAL	
Color / Material	White / Aluminum
RAL Code	RAL9003
Product dimensions / weight	Ø205 x 155mm(8.07x6.10"), 1.80kg(3.97 lb)

* The latest product information / specification can be found at hanwha-security.com

* Design and specifications are subject to change without notice.

* Wisenet is the proprietary brand of **Hanwha Techwin**.