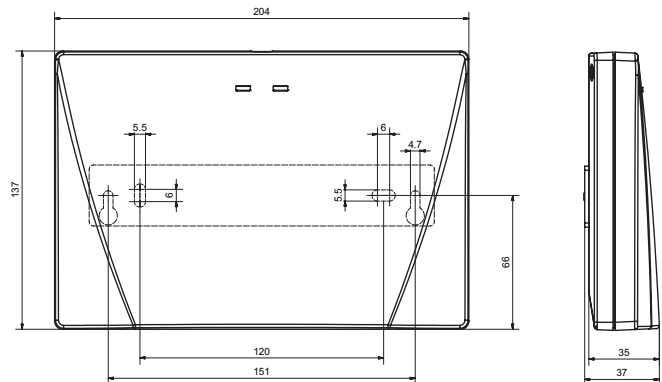


## 82850 NET Repeater Plus for indoor applications



### Product profile

NET Repeater Plus for indoor applications, wireless range extension with integrated antennas.

No network skills are required for the wireless network. RS-485 connection for easy linking of 2 NET-Repeater Plus units. The power supply takes place via external mains adapter.

### Standard version

- Communication: Glutz Wireless Access (868 MHz); RS485 bus
- Mains operation (12-24VDC), Current consumption: 50mA at 12V/24V, 250mW in standby
- Dimensions (WxHxD): 204 x 137 x 35 mm

### Scope of supply

- NET Repeater Plus
- Mount for wall fastening, fixing screws and anchors
- Instruction manual

82850 · ① · ② · ③ · ④

① Power supply

② Housing

③ Antennas

④ Mounting

11 External, bus

30 Black

02 2 antennas

01 Wall mounting

31 White

32 Grey RAL7035