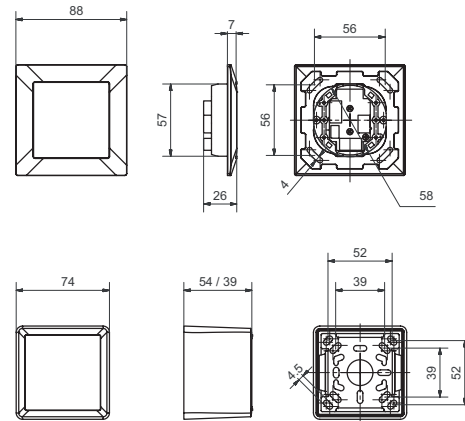


82610 I/O-Module 2R2I for indoor applications



Product profile

I/O-Module, Feller EDIZIOdue (IP 40) for indoor applications. The I/O module serves as a remote processing unit for use with E readers or E hardware. The I/O modules are available in the elegant Feller EDIZIOdue(IP 40) and can be combined with all switches, sockets and frames out of the Feller assortment.

Scope of supply

- I/O-Module
- Quick guide

Important note

Operate the I/O-module, with direct current only.

Standard version

- Design Feller EDIZIOdue IP 40
- Communication radio 868 MHz or RS485 Bus
- Frame for flush mounting / controllerhousing AP height 39/54 mm, white/black
- Network operation (12-24VDC)
- 2x Switch contacts potential free
- 2x Inputs

82610 · ① · ② · ③ · ④

① Power supply

11 External, bus

② AP-housing

- 60 Black IP40 (54 mm)
- 61 White IP40 (54 mm)
- 30 Black IP40 (39 mm)
- 31 White IP40 (39 mm)
- 00 No AP-Housing

③ UP Frame

- 00 No UP Frame
- 60 Plastic black IP40
- 61 Plastic white IP40
- 70 Satin stainless steel IP40
- 71 Polished stainless steel IP40
- 82 Black gold polished IP40
- 81 Aluminium white IP40
- 90 Glass white IP40

④ Front

- 60 Black IP40
- 61 White IP40