



Programming and operation modes	4
Surfaces	8
Lever handle models	9
Explanation of icons	10
E-fittings	11
E-readers	43
Communication devices	63
E-cylinders	96
Administration and programming	81
Accessoires	91

Programming and operation modes

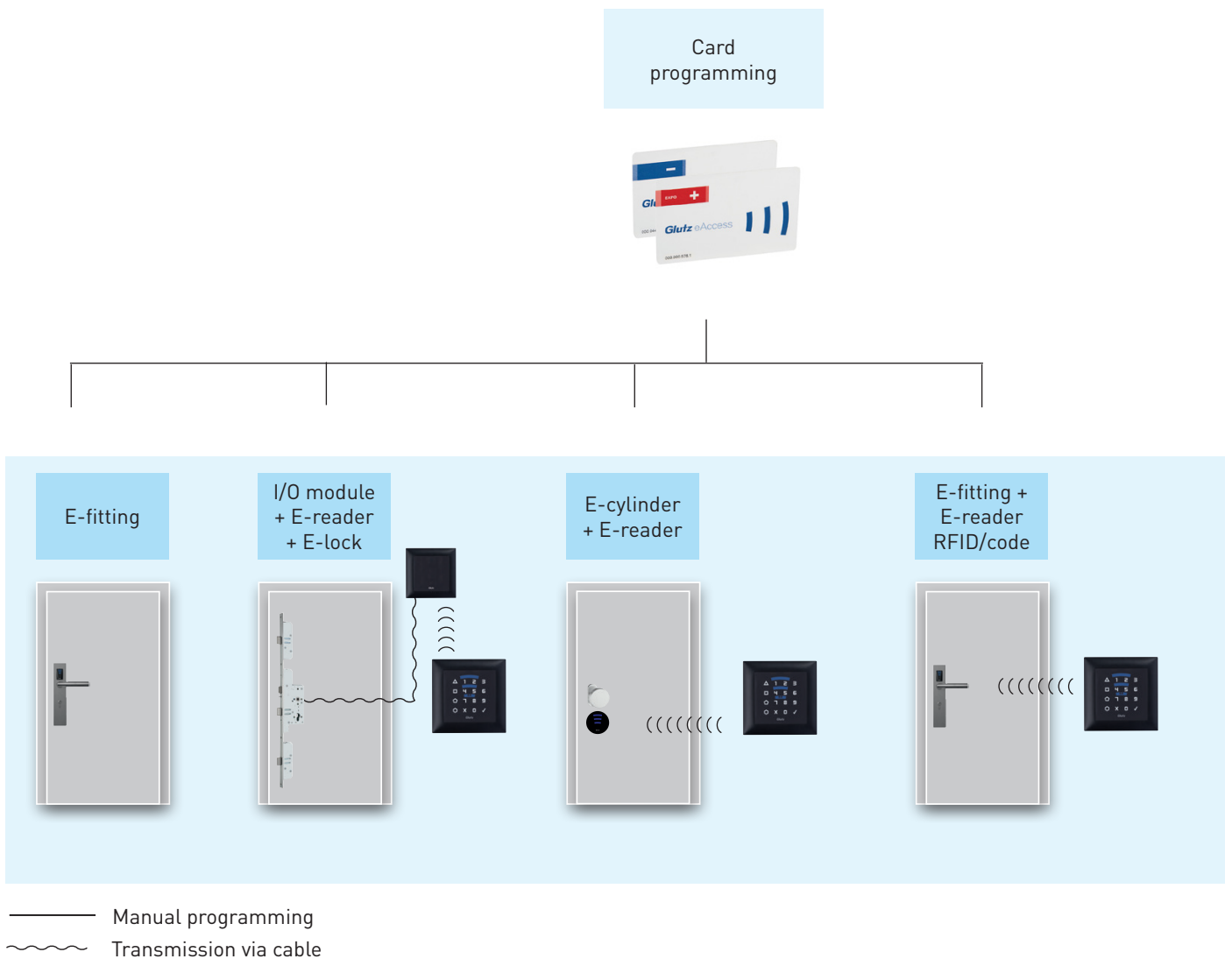
Customised solutions

Whether for exclusive residential developments, commercial and administration buildings, nursing homes, homes for the elderly or hospitals, eAccess systems made by Glutz offer the perfect solution for convenient and reliable access.

Programming and administration are tailored to the size of building and the individual requirements.

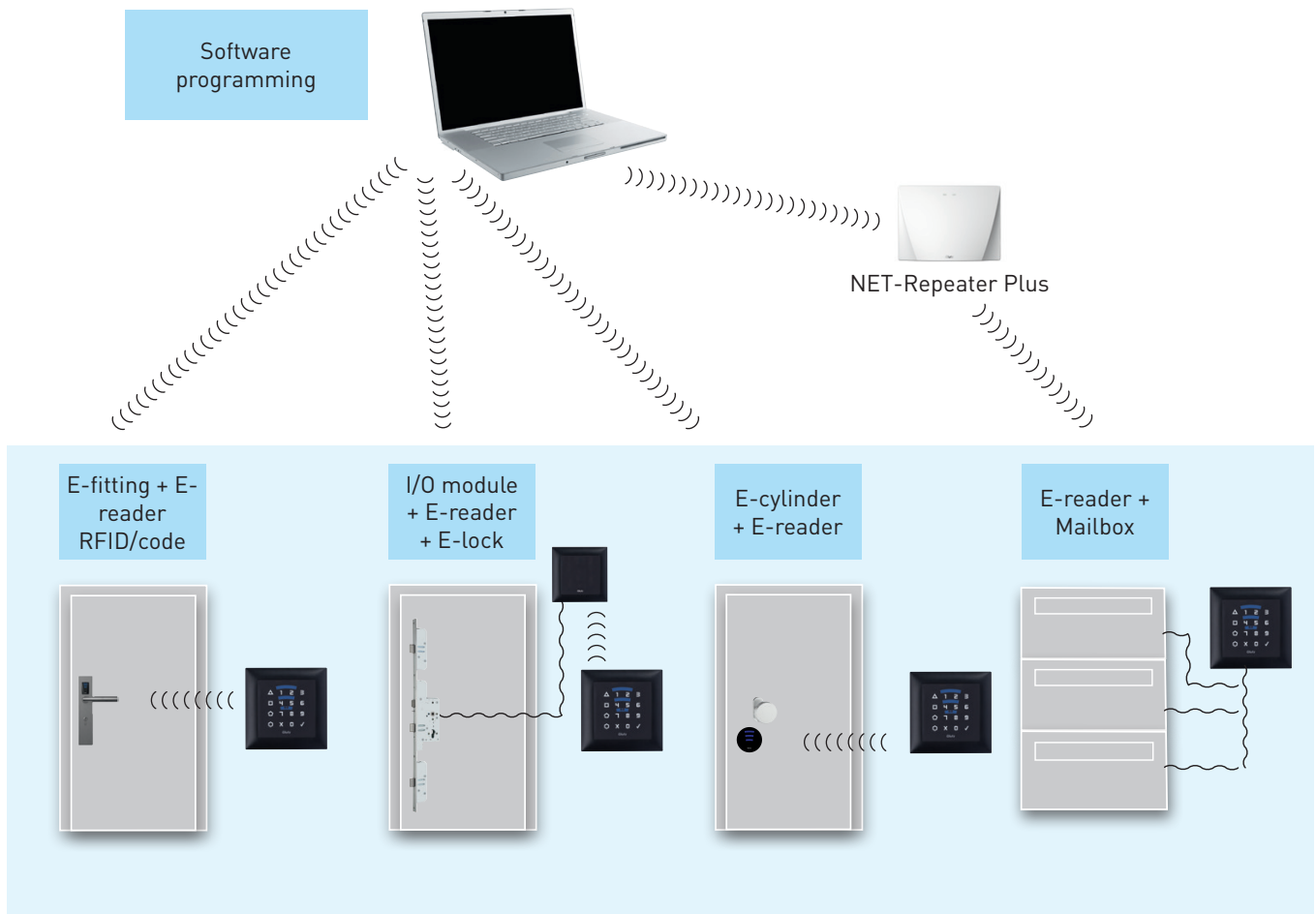
Programming with cards

For smaller scale solutions, programming can be carried out using a card. Neither a PC nor software is needed in this case. The user media can be programmed and individually managed at all eAccess components, of course.



Programming using the software – one location

For solutions at a single larger scale facility, program and manage your eAccess components wirelessly with a PC and NET wireless dongle. Distances greater than 30 metres and different storeys are covered easily by using NET repeaters.

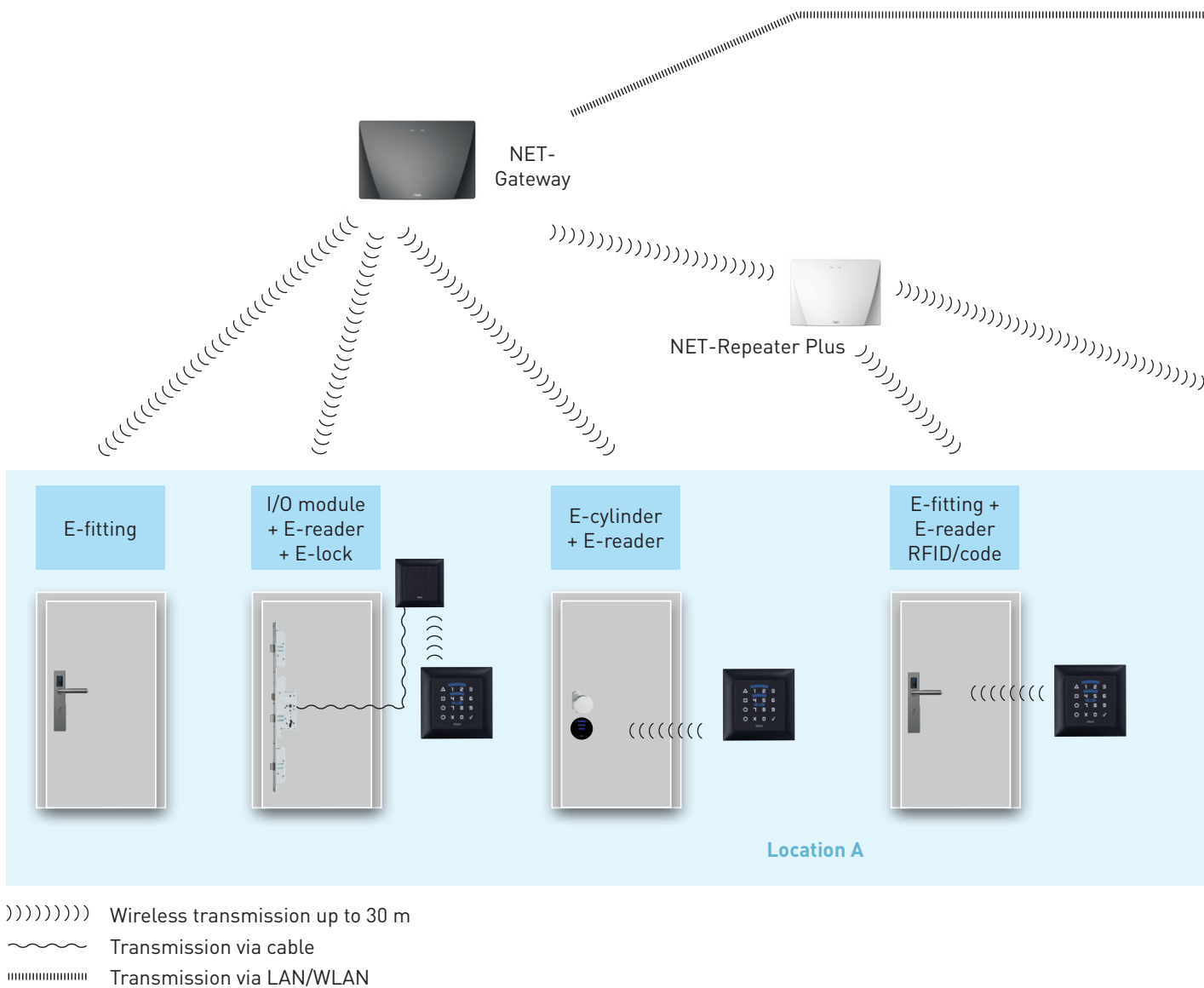


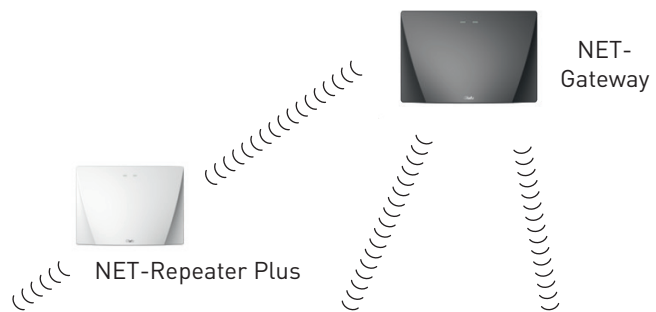
-))))))))) Wireless transmission up to 30 m
- ~~~~~ Transmission via cable
- Transmission via LAN/WLAN

Programming using the software – several locations

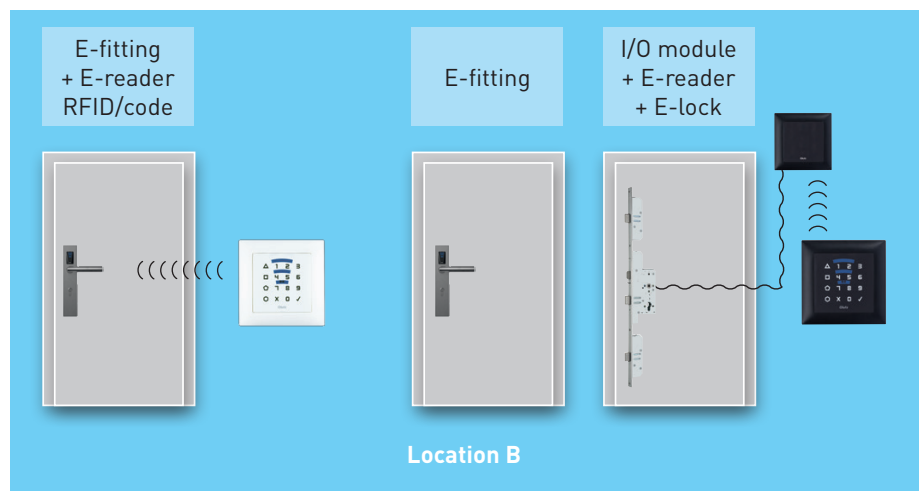
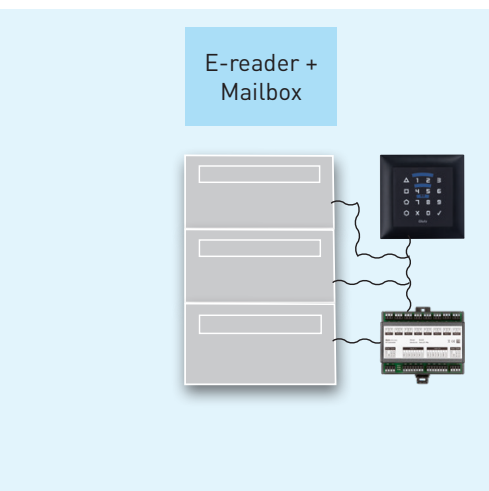
For solutions at more than one site, program and manage your eAccess system via a browser – using a PC, tablet or smartphone. When using the eAccess Network Software, no NET wireless dongle is needed. Each of the locations is equipped with

a NET gateway which maintains contact with the system via LAN/WLAN (TCP/IP). The gateways receive information from the control centre and forward it wirelessly to the eAccess components.





)))))))))



Surfaces



Satin stainless steel (standard)



Polished stainless steel



Satin brass



Polished brass



Anti-bacterial



Wrought iron look

Lever handle models



New Orleans
5062



Olten
5098



Oslo
5064



Memphis
5071



Thun
5057



Savannah
5066



Merkur
5040



Basel
5087



Lugano
5038



Memphis
5072



Oslo
5059



Savannah
5066



Faltor
50931














Appenzell
50070



Appenzell
50071

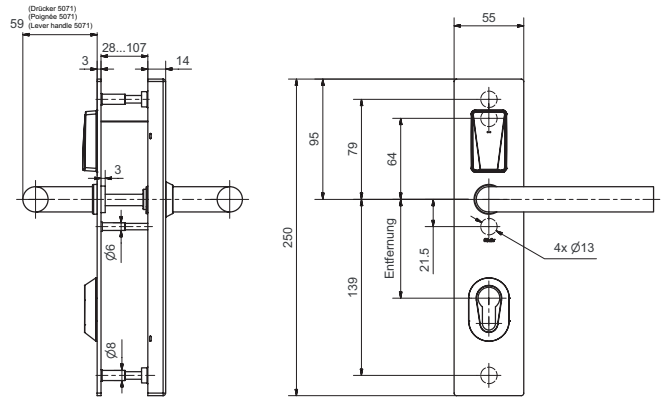


Explanation of icons

	CE	Fulfils the conformity requirements of the European Union.
	EN 1125	Suitable for doors with requirements regarding EN 1125 (panic exit devices).
	EN 1906	Fulfils the requirements of EN 1906 in usage categories 3 and 4.
	EN 15684	Fulfils the requirements of EN 15684 for mechatronic cylinders.
	EN 179	Suitable for doors with requirements regarding EN 179 (panic exit devices) with suitable lever handles.
	ES1/SK2	Meets the requirements of burglar resistance Class 2 in accordance with EN 1906, suitable for doors up to RC2.
	ES3/SK4	Meets the requirements of burglar resistance Class 4 in accordance with EN 1906, suitable for doors up to RC4.
	IP54	Dust-protected and splash-protected, suitable for use on exterior doors, weather protection recommended.
	IP55	Dust-protected and protected against water jets, suitable for use on exterior doors.
	IP65	Dust-tight and protected against water jets, suitable for use outdoors with no special rain protection.
	MIFARE	Supports the RFID standard Mifare DESfire EV1/2, and media according to ISO 14443-A are also recognised.

80125 E Protection Fitting

Private - Steel



Product profile

Battery-operated electronic security plate for interior and exterior solid-leaf doors. Opening and closing from outside take place with contact reading of the RFID-medium. The doors are opened or closed from the interior by pressing the electronic button integrated in the fitting. Mechanical emergency opening from the interior.

Standard version

- For DIN left-hand/right-hand doors
- Identification via RFID Mifare DESfire EV 1 (ISO 14443A)
- Programming via media or wireless access (868 MHz)
- Exterior lever handle engaged, lever handle blocked

Scope of supply

- E-fitting
- Lever handle pair incl. square spindle
- Screw set
- 4 x AAA lithium battery
- Quick guide

Standards

- EN 1906 : 2012
- DIN 18257 : 2003

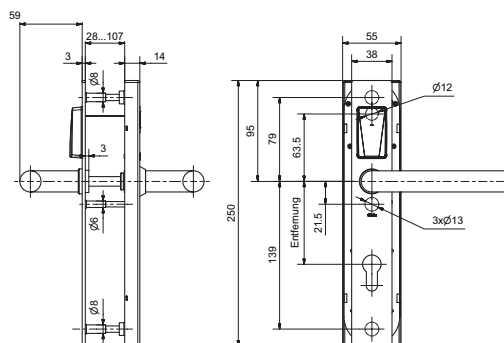
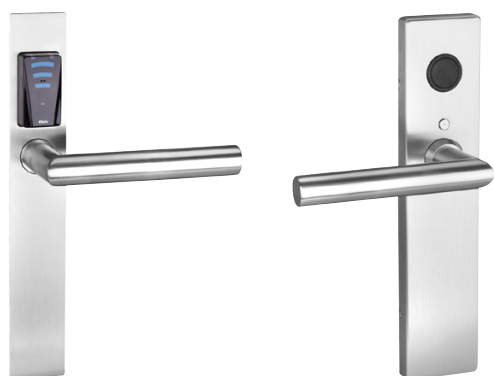
80125 · 1 · 2 · 3 · 4 · 5 · 6 · 7 · 8 · 9

1 Power supply	2 Cut-out outs. 3 Cut-out ins.	4 Distance	5 Lever handle design	6 Square spindle	7 Surface	8 Door thickness	9 Protection rose
00 Lithium Battery	0 Blind	00 Blind	11 5057 Thun	8 8 mm	00 Satin stainless steel	01 34 to 43 mm	00 Blind
11 External, bus	2 RZ	70 70 mm	12 5062 New Orleans	5 8,5 mm	11 Polished stain. steel	02 44 to 53 mm	01 Steel 7 mm
	3 PZ	72 72 mm	13 5064 Oslo	9 9 mm	22 Polished brass	03 54 to 63 mm	02 Steel 9 mm
	4 PRZ	74 74 mm	14 5066 Savannah		33 Satin brass	04 64 to 73 mm	03 Steel 10 mm
		78 78 mm	15 5071 Memphis		44 Anti-bacterial	05 74 to 83 mm	04 Steel 11 mm
		85 85 mm	16 5087 Basel		55 Wrought iron look	06 84 to 93 mm	05 Steel 13 mm
		88 88 mm	17 5098 Olten		99 Spec. execution	07 94 to 103 mm	06 Steel 15 mm
		90 90 mm	18 5038 Lugano			08 104 to 113 mm	07 Steel 17 mm
		92 92 mm	35 5040 Merkur				08 Steel 19 mm
		94 94 mm	40 50070 Appenzell				09 Steel 21 mm
			41 50071 Appenzell				10 Steel 23 mm
			99 Spec. execution				11 Cylinder cut-out 3 mm

RZ: 74, 78, 90, 94 mm; PZ: 70, 72, 78, 85, 88, 90, 92 mm; PRZ: 74, 78, 90, 94 mm

80126 E Protection Fitting

Private - Steel - Narrow



Product profile

Battery-operated electronic security plate for interior and exterior solid-leaf doors. Opening and closing from outside take place with contact reading of the RFID-medium. The doors are opened or closed from the interior by pressing the electronic button integrated in the fitting. Mechanical emergency opening from the interior.

Scope of supply

- E-fitting
- Lever handle pair incl. square spindle
- Screw set
- 4 x AAA lithium battery
- Quick guide

Standard version

- For DIN left-hand/right-hand doors
- Identification with RFID Mifare DESfire EV 1 (ISO 14443A)
- Programming via media or wireless access (868 MHz)
- Exterior handle engaged, lever handle blocked

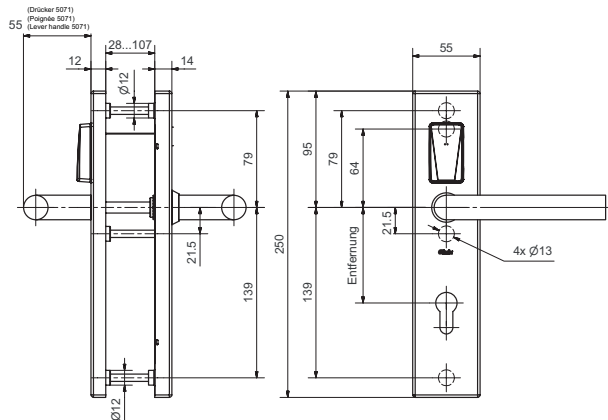
80126 · 1 · 2 · 3 · 4 · 5 · 6 · 7 · 8 · 9

1 Power supply	2 Cut-out outs. 3 Cut-out ins.	4 Distance	5 Lever handle design	6 Square spindle	7 Surface	8 Door thickness	9 Protection rose
00 Lithium Battery	0 Blind	00 Blind	11 5057 Thun	8 8 mm	00 Satin stainless steel	01 34 to 43 mm	00 Blind
	2 RZ	70 70 mm	12 5062 New Orleans	5 8,5 mm	11 Polished stain. steel	02 44 to 53 mm	01 Steel 7 mm
	3 PZ	72 72 mm	13 5064 Oslo	9 9 mm	22 Polished brass	03 54 to 63 mm	02 Steel 9 mm
	4 PRZ	74 74 mm	14 5066 Savannah		33 Satin brass	04 64 to 73 mm	03 Steel 10 mm
		78 78 mm	15 5071 Memphis		44 Anti-bacterial	05 74 to 83 mm	04 Steel 11 mm
		85 85 mm	16 5087 Basel		55 Wrought iron look	06 84 to 93 mm	05 Steel 13 mm
		88 88 mm	17 5098 Olten		99 Spec. execution	07 94 to 103 mm	06 Steel 15 mm
		90 90 mm	18 5038 Lugano			08 104 to 113 mm	07 Steel 17 mm
		92 92 mm	35 5040 Merkur				08 Steel 19 mm
		94 94 mm	40 50070 Appenzell				09 Steel 21 mm
			41 50071 Appenzell				10 Steel 23 mm
			99 Spec. execution				11 Cylinder cut-out 3 mm

RZ: 74, 78, 90, 94 mm; PZ: 70, 72, 78, 85, 88, 90, 92 mm; PRZ: 74, 78, 90, 94 mm

80140 E Protection Fitting

Private - ES1



Product profile

Battery-operated electronic security plate for interior and exterior solid-leaf doors. Opening and closing from outside take place with contact-free reading of the RFID medium. The doors are opened or closed from the interior by pressing the electronic button integrated in the fitting. Mechanical emergency opening from the interior.

Standard version

- For DIN left-hand/right-hand doors
- Identification via RFID Mifare DESfire EV 1 (ISO 14443A)
- Programming via media or wireless access (868 MHz)
- Exterior lever handle engaged, lever handle blocked

Scope of supply

- E-fitting
- Lever handle pair incl. square spindle
- Screw set
- 4 x AAA lithium battery
- Quick guide

Standards

- Tested to DIN 18257-ES1-L (2003-03)
- EN 1906 resistance class 2 (2002-05)
- For burglar resistant doors according to ENV1627 - 1630 WK 1+2 (1999-01)

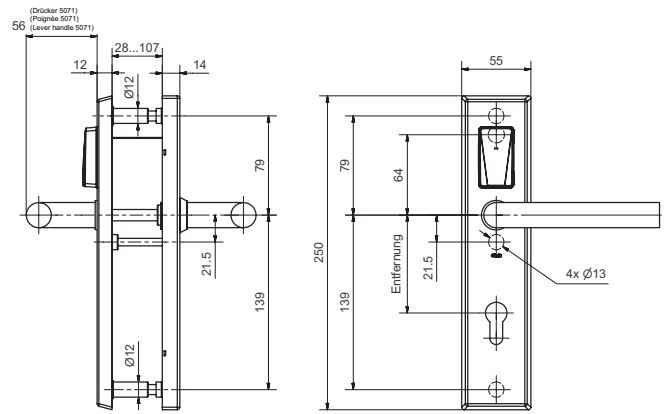
80140 · 1 · 2 · 3 · 4 · 5 · 6 · 7 · 8 · 9

1 Power supply	2 Cut-out outs. 3 Cut-out ins.	4 Distance	5 Lever handle design	6 Square spindle	7 Surface	8 Door thickness	9 Protection rose
00 Lithium Battery	0 Blind	00 Blind	11 5057 Thun	8 8 mm	00 Satin stainless steel	11 28 to 37 mm	00 Blind
11 External, bus	2 RZ	70 70 mm	12 5062 New Orleans	5 8,5 mm	11 Polished stain. steel	12 38 to 47 mm	31 ES 1 RZ 06-10 mm
	3 PZ	72 72 mm	13 5064 Oslo	9 9 mm	22 Polished brass	13 48 to 57 mm	32 ES 1 RZ 10-14 mm
	4 PRZ	74 74 mm	14 5066 Savannah		33 Satin brass	14 58 to 67 mm	33 ES 1 RZ 14-18 mm
		78 78 mm	15 5071 Memphis		44 Anti-bacterial	15 68 to 77 mm	34 ES 1 RZ 18-22 mm
		85 85 mm	16 5087 Basel		55 Wrought iron look	16 78 to 87 mm	35 ES 1 RZ 22-26 mm
		88 88 mm	17 5098 Olten		99 Spec. execution	17 88 to 97 mm	36 ES 1 RZ 26-29 mm
		90 90 mm	18 5038 Lugano			18 98 to 107 mm	37 ES 1 RZ 30-34 mm
		92 92 mm	35 5040 Merkur				38 ES 1 RZ 34-38 mm
		94 94 mm	40 50070 Appenzell				39 ES 1 RZ 38-42 mm
			41 50071 Appenzell				40 ES 1 RZ 42-46 mm
			99 Spec. execution				41 ES 1+3 ZA 9-16 mm

RZ: 74, 78, 90, 94 mm; PZ: 70, 72, 78, 85, 88, 90, 92 mm; PRZ: 74, 78, 90, 94 mm

80160 E Protection Fitting

Private - ES3



Product profile

Battery-operated electronic security plate for interior and exterior solid-leaf doors. Opening and closing from outside take place with contact reading of the RFID-medium. The doors are opened or closed from the interior by pressing the electronic button integrated in the fitting. Mechanical emergency opening from the interior.

Standard version

- For DIN left-hand/right-hand doors
- Identification via RFID Mifare DESfire EV 1 (ISO 14443A)
- Programming via media or wireless access (868 MHz)
- Exterior lever handle engaged, lever handle blocked

Scope of supply

- E-fitting
- Lever handle pair incl. square spindle
- Screw set
- 4 x AAA lithium battery
- Quick guide

Standards

- Tested: DIN 18257-ES3-L-ZA (2003-03)
- EN 1906 burglary resistance class 4 (2002-05)
- Applicable for burglary-resistant doors according to ENV 1627 - 1630, WK 4 (1999-01)

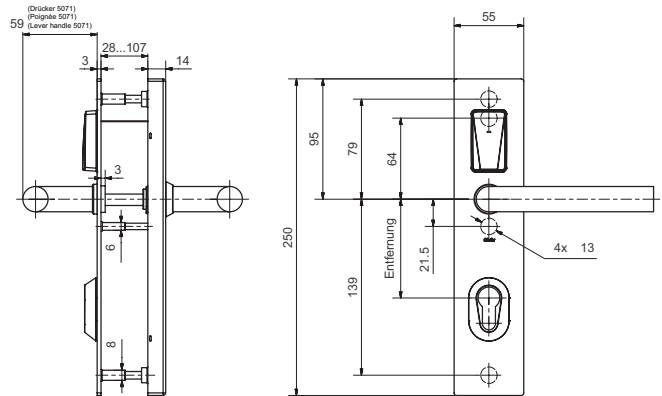
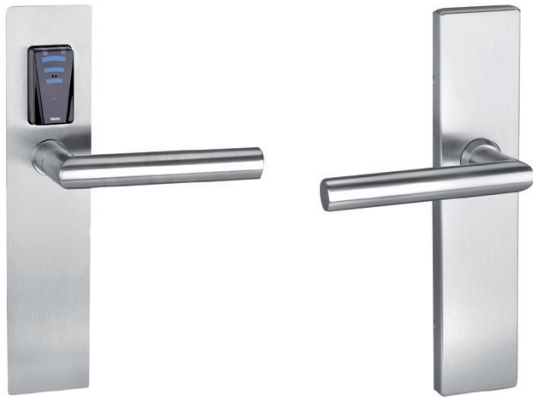
80160 · 1 · 2 · 3 · 4 · 5 · 6 · 7 · 8 · 9

1 Power supply	2 Cut-out outs. 3 Cut-out ins.	4 Distance	5 Lever handle design	6 Square spindle	7 Surface	8 Door thickness	9 Protection rose
00 Lithium Battery	0 Blind	00 Blind	11 5057 Thun	8 8 mm	00 Satin stainless steel	11 28 to 37 mm	00 Blind
11 External, bus	2 RZ	70 70 mm	12 5062 New Orleans	5 8,5 mm	11 Polished stain. steel	12 38 to 47 mm	41 ES 1+3 ZA 9-16 mm
	3 PZ	72 72 mm	13 5064 Oslo	9 9 mm	22 Polished brass	13 48 to 57 mm	
	4 PRZ	74 74 mm	14 5066 Savannah		33 Satin brass	14 58 to 67 mm	
		78 78 mm	15 5071 Memphis		44 Anti-bacterial	15 68 to 77 mm	
		85 85 mm	16 5087 Basel		55 Wrought iron look	16 78 to 87 mm	
		88 88 mm	17 5098 Olten		99 Spec. execution	17 88 to 97 mm	
		90 90 mm	18 5038 Lugano			18 98 to 107 mm	
		92 92 mm	35 5040 Merkur				
		94 94 mm	40 50070 Appenzell				
			41 50071 Appenzell				
			99 Spec. execution				

RZ: 74, 78, 90, 94 mm; PZ: 70, 72, 78, 85, 88, 90, 92 mm; PRZ: 74, 78, 90, 94 mm

80225 E Protection Fitting

Public - Steel



Product profile

Battery-operated electronic security plate for interior and exterior solid-leaf doors. Opening and closing from outside take place with contact reading of the RFID-medium. Door opening is always assured with the interior lever handle; EN179-compliant with suitable lever handle.

Standard version

- For DIN left-hand/right-hand doors
- Identification via RFID Mifare DESfire EV 1 (ISO 14443A)
- Programming via media or wireless access (868 MHz)
- Exterior lever handle engaged, lever handle blocked

Scope of supply

- E-fitting incl. square spindle
- Lever handle pair
- Screw set
- 4 x AAA lithium battery
- Quick guide

Standards

- EN 1906 : 2012
- DIN 18257 : 2003

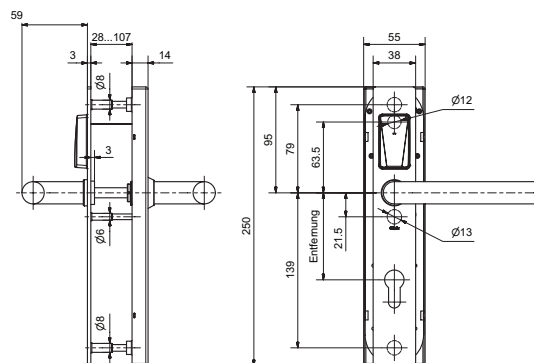
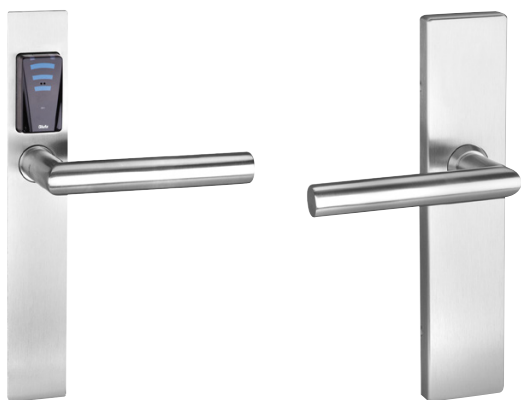
80225 · 1 · 2 · 3 · 4 · 5 · 6 · 7 · 8 · 9

1 Power supply	2 Cut-out outs. 3 Cut-out ins.	4 Distance	5 Lever handle design	6 Square spindle	7 Surface	8 Door thickness	9 Protection rose
00 Lithium Battery	0 Blind	00 Blind	11 5057 Thun	8 8 mm	00 Satin stainless steel	01 34 to 43 mm	00 Blind
11 External, bus	2 RZ	70 70 mm	12 5062 New Orleans	5 8,5 mm	11 Polished stain. steel	02 44 to 53 mm	01 Steel 7 mm
	3 PZ	72 72 mm	13 5064 Oslo	9 9 mm	22 Polished brass	03 54 to 63 mm	02 Steel 9 mm
	4 PRZ	74 74 mm	14 5066 Savannah		33 Satin brass	04 64 to 73 mm	03 Steel 10 mm
		78 78 mm	15 5071 Memphis		44 Anti-bacterial	05 74 to 83 mm	04 Steel 11 mm
		85 85 mm	16 5087 Basel		55 Wrought iron look	06 84 to 93 mm	05 Steel 13 mm
		88 88 mm	17 5098 Olten		99 Spec. execution	07 94 to 103 mm	06 Steel 15 mm
		90 90 mm	18 5038 Lugano			08 104 to 113 mm	07 Steel 17 mm
		92 92 mm	35 5040 Merkur				08 Steel 19 mm
		94 94 mm	40 50070 Appenzell				09 Steel 21 mm
			41 50071 Appenzell				10 Steel 23 mm
			99 Spec. execution				11 Cylinder cut-out 3 mm

RZ: 74, 78, 90, 94 mm; PZ: 70, 72, 78, 85, 88, 90, 92 mm; PRZ: 74, 78, 90, 94 mm

80226 E Protection Fitting

Public - Steel - Narrow



Product profile

Battery-operated electronic security plate for interior and exterior solid-leaf doors. Opening and closing from outside take place with contact reading of the RFID-medium. Door opening is always assured with the interior lever handle; EN179-compliant with suitable lever handle

Scope of supply

- E-fitting incl. square spindle
- Lever handle pair
- Screw set
- 4 x AAA lithium battery
- Quick guide

Standard version

- For DIN left-hand/right-hand doors
- Identification via RFID Mifare DESfire EV 1 (ISO 14443A)
- Programming via media or wireless access (868 MHz)
- Outside lever handle coupled, lever handle blocked

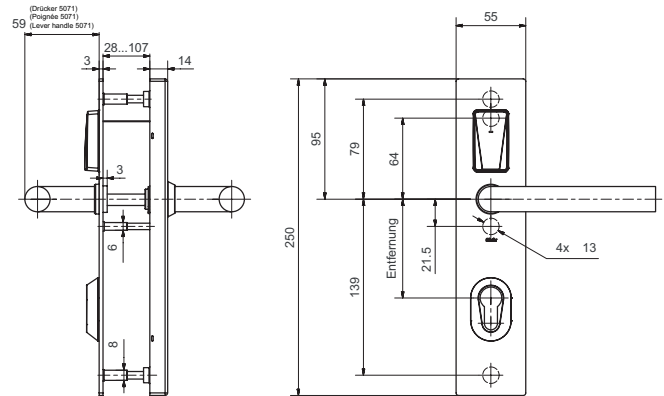
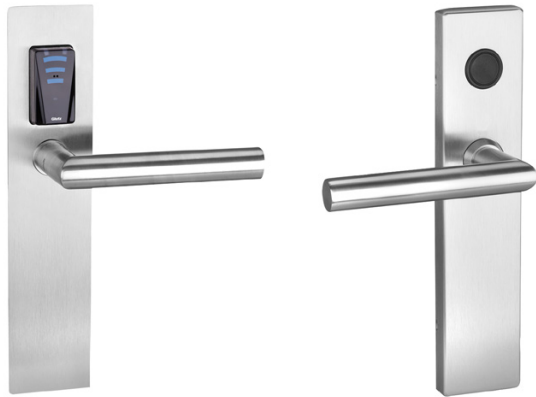
80226 · 1 · 2 · 3 · 4 · 5 · 6 · 7 · 8 · 9

1 Power supply	2 Cut-out outs. 3 Cut-out ins.	4 Distance	5 Lever handle design	6 Square spindle	7 Surface	8 Door thickness	9 Protection rose
00 Lithium Battery	0 Blind	00 Blind	11 5057 Thun	8 8 mm	00 Satin stainless steel	01 34 to 43 mm	00 Blind
11 External, bus	2 RZ	70 70 mm	12 5062 New Orleans	5 8,5 mm	11 Polished stain. steel	02 44 to 53 mm	01 Steel 7 mm
	3 PZ	72 72 mm	13 5064 Oslo	9 9 mm	22 Polished brass	03 54 to 63 mm	02 Steel 9 mm
	4 PRZ	74 74 mm	14 5066 Savannah		33 Satin brass	04 64 to 73 mm	03 Steel 10 mm
		78 78 mm	15 5071 Memphis		44 Anti-bacterial	05 74 to 83 mm	04 Steel 11 mm
		85 85 mm	16 5087 Basel		55 Wrought iron look	06 84 to 93 mm	05 Steel 13 mm
		88 88 mm	17 5098 Olten		99 Spec. execution	07 94 to 103 mm	06 Steel 15 mm
		90 90 mm	18 5038 Lugano			08 104 to 113 mm	07 Steel 17 mm
		92 92 mm	35 5040 Merkur				08 Steel 19 mm
		94 94 mm	40 50070 Appenzell				09 Steel 21 mm
			41 50071 Appenzell				10 Steel 23 mm
			99 Spec. execution				11 Cylinder cut-out 3 mm

RZ: 74, 78, 90, 94 mm; PZ: 70, 72, 78, 85, 88, 90, 92 mm; PRZ: 74, 78, 90, 94 mm

80325 E Protection Fitting

Public - steel - with interior button



Product profile

Battery-operated electronic security plate for interior and exterior solid-leaf doors.

Opening and closing from outside take place with contact reading of the RFID-medium.

Door opening is always assured with the interior lever handle;

EN179-compliant with suitable lever handle.

Additional functions (such as anti-gunman function) can be activated by pressing the electronic button integrated in the fitting.

Scope of supply

- E-fitting incl. square spindle
- Lever handle pair
- Screw set
- 4 x AAA lithium battery
- Quick guide

Standard version

- For DIN left-hand/right-hand doors
- Identification via RFID Mifare DESfire EV 1 (ISO 14443A)
- Programming via media or wireless access (868 MHz)
- Exterior handle lever coupled, blocked lever handle

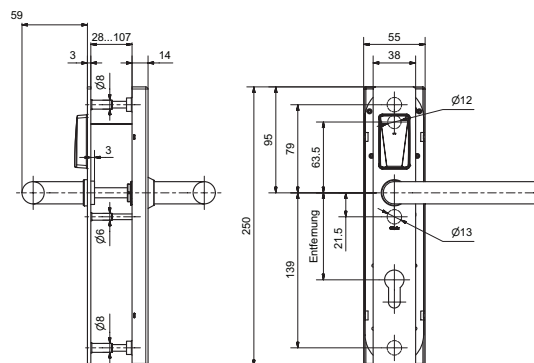
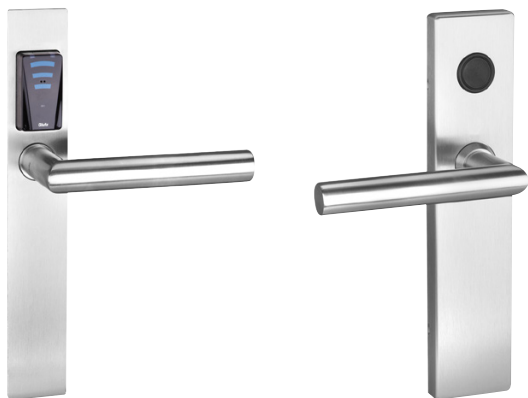
80325 · 1 · 2 · 3 · 4 · 5 · 6 · 7 · 8 · 9

1 Power supply	2 Cut-out outs. 3 Cut-out ins.	4 Distance	5 Lever handle design	6 Square spindle	7 Surface	8 Door thickness	9 Protection rose
00 Lithium Battery	0 Blind	00 Blind	11 5057 Thun	8 8 mm	00 Satin stainless steel	01 34 to 43 mm	00 Blind
11 External, bus	2 RZ	70 70 mm	12 5062 New Orleans	5 8,5 mm	11 Polished stain. steel	02 44 to 53 mm	01 Steel 7 mm
	3 PZ	72 72 mm	13 5064 Oslo	9 9 mm	22 Polished brass	03 54 to 63 mm	02 Steel 9 mm
	4 PRZ	74 74 mm	14 5066 Savannah		33 Satin brass	04 64 to 73 mm	03 Steel 10 mm
		78 78 mm	15 5071 Memphis		44 Anti-bacterial	05 74 to 83 mm	04 Steel 11 mm
		85 85 mm	16 5087 Basel		55 Wrought iron look	06 84 to 93 mm	05 Steel 13 mm
		88 88 mm	17 5098 Olten		99 Spec. execution	07 94 to 103 mm	06 Steel 15 mm
		90 90 mm	18 5038 Lugano			08 104 to 113 mm	07 Steel 17 mm
		92 92 mm	35 5040 Merkur				08 Steel 19 mm
		94 94 mm	40 50070 Appenzell				09 Steel 21 mm
			41 50071 Appenzell				10 Steel 23 mm
			99 Spec. execution				11 Cylinder cut-out 3 mm

RZ: 74, 78, 90, 94 mm; PZ: 70, 72, 78, 85, 88, 90, 92 mm; PRZ: 74, 78, 90, 94 mm

80326 E Protection Fitting

Public - steel - narrow - with interior button



Product profile

Battery-operated electronic security plate for interior and exterior solid-leaf doors.

Opening and closing from outside take place with contact reading of the RFID-medium.

Door opening is always assured with the interior lever handle;

EN179-compliant with suitable lever handle.

Additional functions (such as anti-gunman function) can be activated by pressing the electronic button integrated in the fitting.

Scope of supply

- E-fitting incl. square spindle
- Lever handle pair
- Screw set
- 4 x AAA lithium battery
- Quick guide

Standard version

- For DIN left-hand/right-hand doors
- Identification via RFID Mifare DESfire EV 1 (ISO 14443A)
- Programming via media or wireless access (868 MHz)
- Exterior handle lever coupled, blocked lever handle

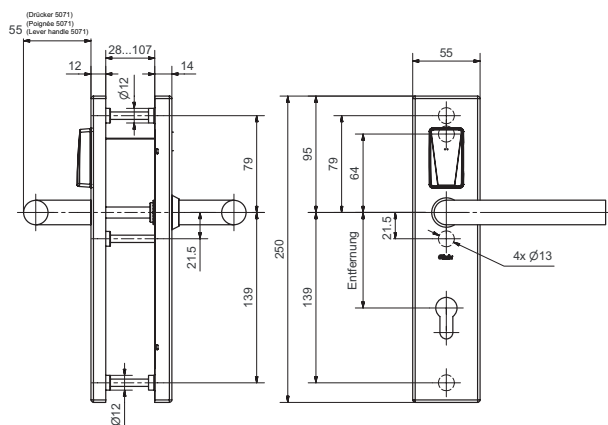
80326 · 1 · 2 · 3 · 4 · 5 · 6 · 7 · 8 · 9

1 Power supply	2 Cut-out outs. 3 Cut-out ins.	4 Distance	5 Lever handle design	6 Square spindle	7 Surface	8 Door thickness	9 Protection rose
00 Lithium Battery	0 Blind	00 Blind	11 5057 Thun	8 8 mm	00 Satin stainless steel	01 34 to 43 mm	00 Blind
11 External, bus	2 RZ	70 70 mm	12 5062 New Orleans	5 8,5 mm	11 Polished stain. steel	02 44 to 53 mm	01 Steel 7 mm
	3 PZ	72 72 mm	13 5064 Oslo	9 9 mm	22 Polished brass	03 54 to 63 mm	02 Steel 9 mm
	4 PRZ	74 74 mm	14 5066 Savannah		33 Satin brass	04 64 to 73 mm	03 Steel 10 mm
		78 78 mm	15 5071 Memphis		44 Anti-bacterial	05 74 to 83 mm	04 Steel 11 mm
		85 85 mm	16 5087 Basel		55 Wrought iron look	06 84 to 93 mm	05 Steel 13 mm
		88 88 mm	17 5098 Olten		99 Spec. execution	07 94 to 103 mm	06 Steel 15 mm
		90 90 mm	18 5038 Lugano			08 104 to 113 mm	07 Steel 17 mm
		92 92 mm	35 5040 Merkur				08 Steel 19 mm
		94 94 mm	40 50070 Appenzell				09 Steel 21 mm
			41 50071 Appenzell				10 Steel 23 mm
			99 Spec. execution				11 Cylinder cut-out 3 mm

RZ: 74, 78, 90, 94 mm; PZ: 70, 72, 78, 85, 88, 90, 92 mm; PRZ: 74, 78, 90, 94 mm

80240 E Protection Fitting

Public - ES1



Product profile

Battery-operated electronic security plate for interior and exterior solid-leaf doors. Opening and closing from outside take place with contact reading of the RFID-medium. Door opening is always assured with the interior lever handle; EN179-compliant with suitable lever handle.

Standard version

- For DIN left-hand/right-hand doors
- Identification via RFID Mifare DESfire EV 1 (ISO 14443A)
- Programming via media or wireless access (868 MHz)
- Exterior handle lever coupled, blocked lever handle

Scope of supply

- E-fitting incl. square spindle
- Lever handle pair
- Screw set
- 4 x AAA lithium battery
- Quick guide

Standards

- Tested to DIN 18257-ES1-L (2003-03)
- EN 1906 resistance class 2 (2002-05)
- For burglar resistant doors according to EN 1627 - 1630 WK 1+2 (1999-01)

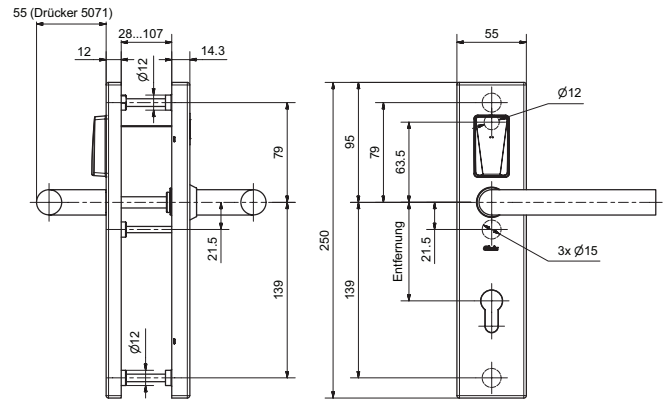
80240 · 1 · 2 · 3 · 4 · 5 · 6 · 7 · 8 · 9

1 Power supply	2 Cut-out outs. 3 Cut-out ins.	4 Distance	5 Lever handle design	6 Square spindle	7 Surface	8 Door thickness	9 Protection rose
00 Lithium Battery	0 Blind	00 Blind	11 5057 Thun	8 8 mm	00 Satin stainless steel	11 28 to 37 mm	00 Blind
11 External, bus	2 RZ	70 70 mm	12 5062 New Orleans	5 8,5 mm	11 Polished stain. steel	12 38 to 47 mm	31 ES 1 RZ 06-10 mm
	3 PZ	72 72 mm	13 5064 Oslo	9 9 mm	22 Polished brass	13 48 to 57 mm	32 ES 1 RZ 10-14 mm
	4 PRZ	74 74 mm	14 5066 Savannah		33 Satin brass	14 58 to 67 mm	33 ES 1 RZ 14-18 mm
		78 78 mm	15 5071 Memphis		44 Anti-bacterial	15 68 to 77 mm	34 ES 1 RZ 18-22 mm
		85 85 mm	16 5087 Basel		55 Wrought iron look	16 78 to 87 mm	35 ES 1 RZ 22-26 mm
		88 88 mm	17 5098 Olten		99 Spec. execution	17 88 to 97 mm	36 ES 1 RZ 26-29 mm
		90 90 mm	18 5038 Lugano			18 98 to 107 mm	37 ES 1 RZ 30-34 mm
		92 92 mm	35 5040 Merkur				38 ES 1 RZ 34-38 mm
		94 94 mm	40 50070 Appenzell				39 ES 1 RZ 38-42 mm
			41 50071 Appenzell				40 ES 1 RZ 42-46 mm
			99 Spec. execution				41 ES 1+3 ZA 9-16 mm

RZ: 74, 78, 90, 94 mm; PZ: 70, 72, 78, 85, 88, 90, 92 mm; PRZ: 74, 78, 90, 94 mm

80340 E Protection Fitting

Public - ES1 - with interior button



Product profile

Battery-operated electronic security plate for interior and exterior solid-leaf doors.

Opening and closing from outside take place with contact reading of the RFID-medium.

Door opening is always assured with the interior lever handle;

EN179-compliant with suitable lever handle.

Additional functions (such as anti-gunman function) can be activated by pressing the electronic button integrated in the fitting.

Scope of supply

- E-fitting incl. square spindle
- Lever handle pair
- Screw set
- 4 x AAA lithium battery
- Quick guide

Standard version

- For DIN left-hand/right-hand doors
- Identification via RFID Mifare DESfire EV 1 (ISO 14443A)
- Programming via media or wireless access (868 MHz)
- Exterior handle lever coupled, blocked lever handle

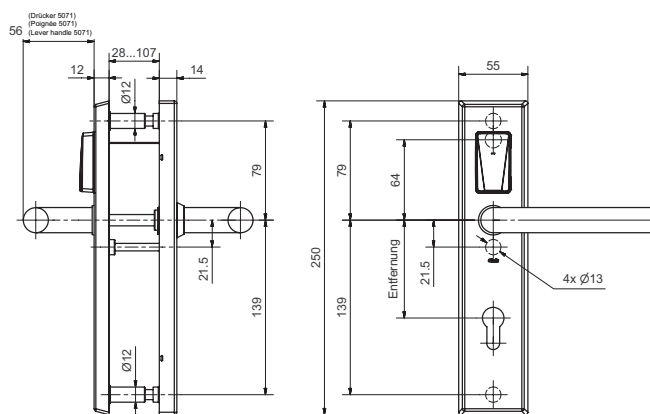
80340 · 1 · 2 · 3 · 4 · 5 · 6 · 7 · 8 · 9

1 Power supply	2 Cut-out outs. 3 Cut-out ins.	4 Distance	5 Lever handle design	6 Square spindle	7 Surface	8 Door thickness	9 Protection rose
00 Lithium Battery	0 Blind	00 Blind	11 5057 Thun	8 8 mm	00 Satin stainless steel	11 28 to 37 mm	00 Blind
11 External, bus	2 RZ	70 70 mm	12 5062 New Orleans	5 8,5 mm	11 Polished stain. steel	12 38 to 47 mm	31 ES 1 RZ 06-10 mm
	3 PZ	72 72 mm	13 5064 Oslo	9 9 mm	22 Polished brass	13 48 to 57 mm	32 ES 1 RZ 10-14 mm
	4 PRZ	74 74 mm	14 5066 Savannah		33 Satin brass	14 58 to 67 mm	33 ES 1 RZ 14-18 mm
		78 78 mm	15 5071 Memphis		44 Anti-bacterial	15 68 to 77 mm	34 ES 1 RZ 18-22 mm
		85 85 mm	16 5087 Basel		55 Wrought iron look	16 78 to 87 mm	35 ES 1 RZ 22-26 mm
		88 88 mm	17 5098 Olten		99 Spec. execution	17 88 to 97 mm	36 ES 1 RZ 26-29 mm
		90 90 mm	18 5038 Lugano			18 98 to 107 mm	41 ES 1+3 ZA 9-16 mm
		92 92 mm	35 5040 Merkur				
		94 94 mm	40 50070 Appenzell				
			41 50071 Appenzell				
			99 Spec. execution				

RZ: 74, 78, 90, 94 mm; PZ: 70, 72, 78, 85, 88, 90, 92 mm; PRZ: 74, 78, 90, 94 mm

80260 E Protection Fitting

Public - ES3



Product profile

Battery-operated electronic security plate for interior and exterior solid-leaf doors. Opening and closing from outside take place with contact reading of the RFID-medium. Door opening is always assured with the interior lever handle; EN179-compliant with suitable lever handle.

Standard version

- For DIN left-hand/right-hand doors
- Identification via RFID Mifare DESfire EV 1 (ISO 14443A)
- Programming via media or wireless access (868 MHz)
- Exterior lever handle engaged, lever handle blocked

Scope of supply

- E-fitting, square spindle, handle lever pair, screw set
- 4 x AAA lithium battery
- Quick guide

Standards

- Tested: DIN 18257-ES3-L-ZA (2003-03)
- EN 1906 burglary resistance class 4 (2002-05)
- Applicable for burglary-resistant doors according to EN 1627 - 1630, WK 4 (1999-01)

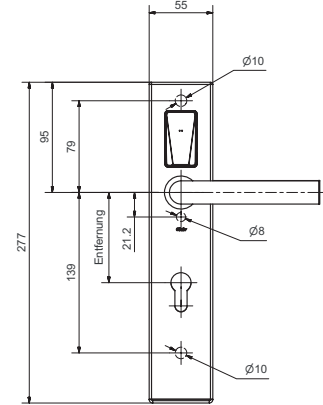
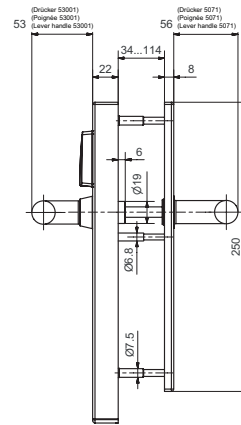
80260 · 1 · 2 · 3 · 4 · 5 · 6 · 7 · 8 · 9

1 Power supply	2 Cut-out outs. 3 Cut-out ins.	4 Distance	5 Lever handle design	6 Square spindle	7 Surface	8 Door thickness	9 Protection rose
00 Lithium Battery	0 Blind	00 Blind	11 5057 Thun	8 8 mm	00 Satin stainless steel	11 28 to 37 mm	00 Blind
11 External, bus	2 RZ	70 70 mm	12 5062 New Orleans	5 8,5 mm	11 Polished stain. steel	12 38 to 47 mm	41 ES 1+3 ZA 9-16 mm
	3 PZ	72 72 mm	13 5064 Oslo	9 9 mm	22 Polished brass	13 48 to 57 mm	
	4 PRZ	74 74 mm	14 5066 Savannah		33 Satin brass	14 58 to 67 mm	
		78 78 mm	15 5071 Memphis		44 Anti-bacterial	15 68 to 77 mm	
		85 85 mm	16 5087 Basel		55 Wrought iron look	16 78 to 87 mm	
		88 88 mm	17 5098 Olten		99 Spec. execution	17 88 to 97 mm	
		90 90 mm	18 5038 Lugano			18 98 to 107 mm	
		92 92 mm	35 5040 Merkur				
		94 94 mm	40 50070 Appenzell				
			41 50071 Appenzell				
			99 Spec. execution				

RZ: 74, 78, 90, 94 mm; PZ: 70, 72, 78, 85, 88, 90, 92 mm; PRZ: 74, 78, 90, 94 mm

80510 E Organisation Fitting

Public, wide - steel - with interior plate



Product profile

Battery-operated electronic security plate for interior and exterior solid-leaf doors. Opening and closing from outside take place with contact reading of the RFID-medium. Door opening is always assured with the interior lever handle; EN179-compliant with suitable lever handle.

Scope of supply

- E-fitting incl. interior plate
- Lever handle pair
- Square spindle and screw set
- Battery pack
- Quick guide

Standard version

- For DIN left-hand/right-hand doors
- Identification via RFID Mifare DESfire EV 1 (ISO 14443A)
- Programming via media or wireless access (868 MHz)
- External lever handle engaged, freewheeling

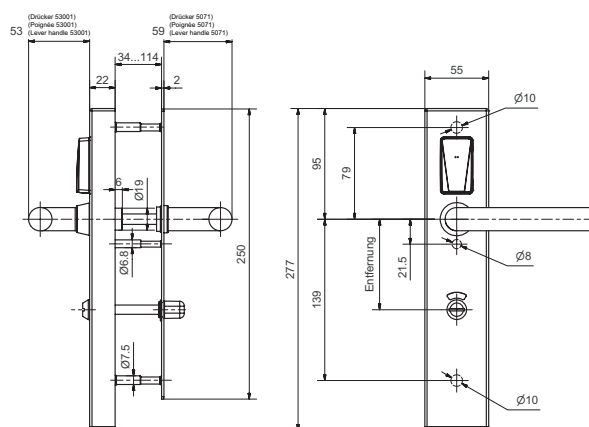
80510 • 1 • 2 • 3 • 4 • 5 • 6 • 7 • 8 • 9

1 Power supply	2 Cut-out outs. 3 Cut-out ins.	4 Distance	5 Lever handle design	6 Square spindle	7 Surface	8 Door thickness	9 Protection rose
00 Lithium Battery	0 Blind	00 Blind	21 53001 (5071) Memphis	8 8 mm	00 Satin stainless steel	01 34 to 43 mm	00 None/Blind
	2 RZ	55 55 mm	22 53002 (5066) Savannah	5 8,5 mm	11 Polished stain. steel	02 44 to 53 mm	
	3 PZ	70 70 mm	23 53004 (5064) Oslo	9 9 mm	22 Polished brass	03 54 to 63 mm	
	4 PRZ	72 72 mm	24 53010 (5057) Thun		33 Satin brass	04 64 to 73 mm	
		74 74 mm	25 53011 (5062) New Orleans		44 Anti-bacterial	05 74 to 83 mm	
		78 78 mm	26 53013 (5098) Olten		55 Wrought iron look	06 84 to 93 mm	
		85 85 mm	31 53003 (5059) Oslo angled		99 Spec. execution	07 94 to 103 mm	
		88 88 mm	32 53012 (5072) Memphis angled			08 104 to 113 mm	
		90 90 mm	33 53009 (5066) Savannah angled				
		92 92 mm	34 50935 (5038) Lugano				
		94 94 mm	35 50937 (5040) Merkur				
			40 50970 (50070) Appenzell				
			41 50971 (50071) Appenzell				
			99 Spec. execution				

RZ: 74, 78, 90, 94 mm; PZ: 55, 70, 72, 78, 85, 88, 90, 92 mm; PRZ: 74, 78, 90, 94 mm

80511 E Organisation Fitting

Public, WC - steel - with interior plate



Product profile

Battery-operated electronic organisation fitting for interior doors with WC lock for reserved toilet systems in public areas, such as hospitals, retirement homes, restaurants, petrol stations, etc. Opening and closing from outside with wireless reading of the RFID medium. The user locks the door from the inside with the thumbturn with the bolt of the WC lock. The door can be opened from inside with the handle lever when the bolt is retracted. The exterior plate has a red/green indicator.

Scope of supply

- E-fitting incl. interior plate
- Lever handle pair
- Square spindle and screw set
- 7 mm square spindle for thumbturn
- Battery pack
- Quick guide

Standard version

- For DIN left-hand/right-hand doors
- Identification via RFID Mifare DESfire EV 1 (ISO 14443A)
- Programming via media or wireless access (868 MHz)
- External lever handle engaged, freewheeling

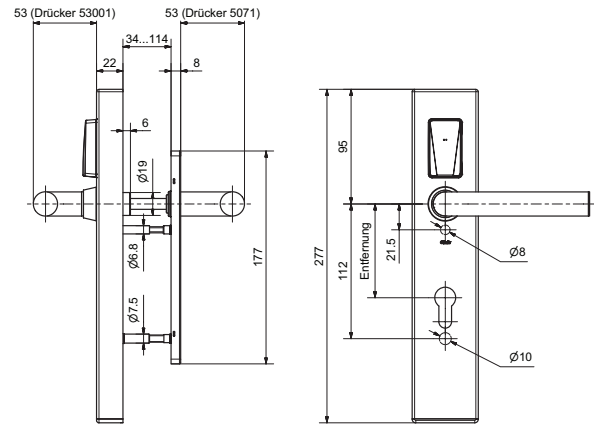
80511 • 1 • 2 • 3 • 4 • 5 • 6 • 7 • 8 • 9

1 Power supply	2 Cut-out outs. 3 Cut-out ins.	4 Distance	5 Lever handle design	6 Square spindle	7 Surface	8 Door thickness	9 Protection rose
00 Lithium Battery	5 WC	72 72 mm 78 78 mm 90 90 mm	21 53001 (5071) Memphis 22 53002 (5066) Savannah 23 53004 (5064) Oslo 24 53010 (5057) Thun 25 53011 (5062) New Orleans 26 53013 (5098) Olten 31 53003 (5059) Oslo angled 32 53012 (5072) Memphis angled 33 53009 (5066) Savannah angled 34 50935 (5038) Lugano 35 50937 (5040) Merkur 40 50970 (50070) Appenzell 41 50971 (50071) Appenzell 99 Spec. execution	8 8 mm 5 8,5 mm 9 9 mm	00 Satin stainless steel 11 Polished stain. steel 22 Polished brass 33 Satin brass 44 Anti-bacterial 55 Wrought iron look 99 Spec. execution	01 34 to 43 mm 02 44 to 53 mm 03 54 to 63 mm 04 64 to 73 mm 05 74 to 83 mm 06 84 to 93 mm 07 94 to 103 mm 08 104 to 113 mm	00 None/Blind

Thumbturn square: 7 mm, 8 mm

80512 E Organisation Fitting

Public wide - steel - with short interior plate - 21.5/112



Product profile

Battery-operated electronic organisation fitting for solid-leaf interior doors in residential buildings, offices and public areas. Opening and closing from outside take place with contact reading of the RFID-medium. Door opening is always assured with the interior lever handle; EN179-compliant with suitable lever handle.

Scope of supply

- E-fitting incl. interior plate
- Lever handle pair
- Square spindle and screw set
- Battery pack
- Quick guide

Standard version

- For DIN left-hand/right-hand doors
- Identification via RFID Mifare DESfire EV 1 (ISO 14443A)
- Programming via media or wireless access (868 MHz)
- External lever handle engaged, freewheeling

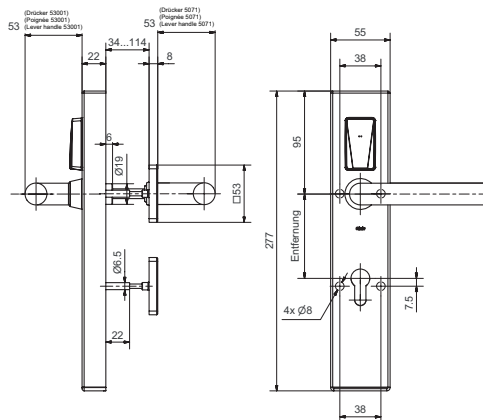
80512 · 1 · 2 · 3 · 4 · 5 · 6 · 7 · 8 · 9

1 Power supply	2 Cut-out outs. 3 Cut-out ins.	4 Distance	5 Lever handle design	6 Square spindle	7 Surface	8 Door thickness	9 Protection rose
00 Lithium Battery	0 Blind	00 Blind	21 53001 (5071) Memphis	8 8 mm	00 Satin stainless steel	01 34 to 43 mm	00 None/Blind
	2 RZ	55 55 mm	22 53002 (5066) Savannah	5 8,5 mm	11 Polished stain. steel	02 44 to 53 mm	
	3 PZ	70 70 mm	23 53004 (5064) Oslo	9 9 mm	22 Polished brass	03 54 to 63 mm	
	4 PRZ	72 72 mm	24 53010 (5057) Thun		33 Satin brass	04 64 to 73 mm	
		74 74 mm	25 53011 (5062) New Orleans		44 Anti-bacterial	05 74 to 83 mm	
		78 78 mm	26 53013 (5098) Olten		55 Wrought iron look	06 84 to 93 mm	
		85 85 mm	31 53003 (5059) Oslo angled		99 Spec. execution	07 94 to 103 mm	
		88 88 mm	32 53012 (5072) Memphis angled			08 104 to 113 mm	
		90 90 mm	33 53009 (5066) Savannah angled				
		92 92 mm	34 50935 (5038) Lugano				
		94 94 mm	35 50937 (5040) Merkur				
			40 50970 (50070) Appenzell				
			41 50971 (50071) Appenzell				
			99 Spec. execution				

RZ: 74, 78, 90, 94 mm; PZ: 55, 70, 72, 78, 85, 88, 90, 92 mm; PRZ: 74, 78, 90, 94 mm

80520 E Organisation Fitting

Public, wide - steel - with square interior rose



Product profile

Battery-operated electronic organisation fitting for solid-leaf interior doors. Opening and closing from outside take place with contact reading of the RFID-medium. Door opening is always assured with the interior lever handle; EN179-compliant with suitable lever handle

Scope of supply

- E-fitting with interior rose
- Lever handle pair
- Battery pack
- Square spindle and screw set
- Quick guide

Standard version

- For DIN left-hand/right-hand doors
- Identification via RFID Mifare DESfire EV 1 (ISO 14443A)
- Programming via media or wireless access (868 MHz)
- External lever handle engaged, freewheeling

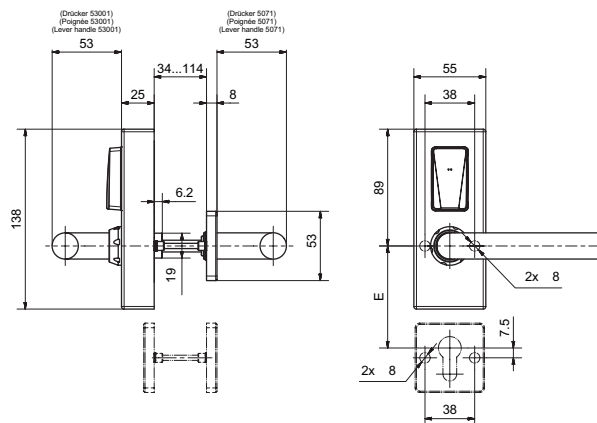
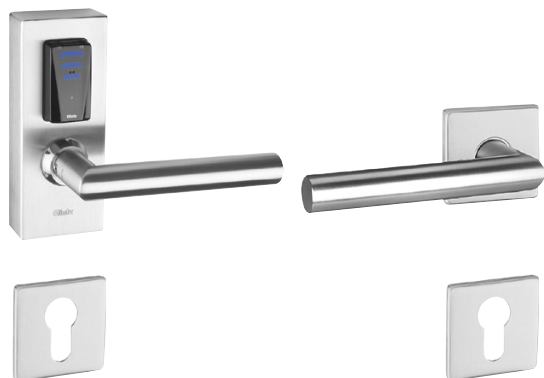
80520 · 1 · 2 · 3 · 4 · 5 · 6 · 7 · 8 · 9

1 Power supply	2 Cut-out outs. 3 Cut-out ins.	4 Distance	5 Lever handle design	6 Square spindle	7 Surface	8 Door thickness	9 Protection rose
00 Lithium Battery	0 Blind	00 Blind	21 53001 (5071) Memphis	8 8 mm	00 Satin stainless steel	01 34 to 43 mm	00 None/Blind
	2 RZ	55 55 mm	22 53002 (5066) Savannah	5 8,5 mm	11 Polished stain. steel	02 44 to 53 mm	
	3 PZ	70 70 mm	23 53004 (5064) Oslo	9 9 mm	22 Polished brass	03 54 to 63 mm	
	4 PRZ	72 72 mm	24 53010 (5057) Thun		33 Satin brass	04 64 to 73 mm	
		74 74 mm	25 53011 (5062) New Orleans		44 Anti-bacterial	05 74 to 83 mm	
		78 78 mm	26 53013 (5098) Olten		55 Wrought iron look	06 84 to 93 mm	
		85 85 mm	31 53003 (5059) Oslo angled		99 Spec. execution	07 94 to 103 mm	
		88 88 mm	32 53012 (5072) Memphis angled			08 104 to 113 mm	
		90 90 mm	33 53009 (5066) Savannah angled				
		92 92 mm	34 50935 (5038) Lugano				
		94 94 mm	35 50937 (5040) Merkur				
			40 50970 (50070) Appenzell				
			41 50971 (50071) Appenzell				
			99 Spec. execution				

RZ: 74, 78, 90, 94 mm; PZ: 55, 70, 72, 78, 85, 88, 90, 92 mm; PRZ: 74, 78, 90, 94 mm

80525 E Organisation Fitting short

Public wide - steel



Product profile

Battery-operated electronic organisation fitting for solid-leaf interior doors. Opening and closing from outside take place with contact-free reading of the RFID medium. Door opening is always assured with the interior lever handle; EN179-compliant with suitable lever handle.

Scope of supply

- E fitting, lever handle
- 2 × AA lithium batteries
- Square spindle and screw set
- Installation key
- Quick guide

Standard version

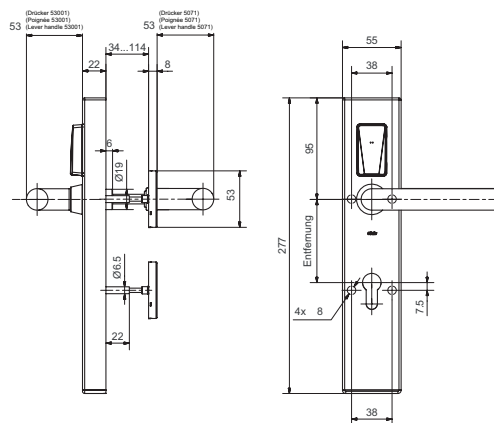
- For DIN left-hand/right-hand doors
- Identification via RFID Mifare DESfire EV 1 (ISO 14443A)
- Programming via media or wireless access (868 MHz)
- External lever handle engaged, freewheeling
- Operated with 2 × AA lithium batteries

80525 · 1 · 2 · 3 · 4 · 5 · 6 · 7 · 8

1 Lever handle design	2 Square spindle	3 Surface	4 Door thickness	5 Fixing outside	6 interior rose	7 Cut-out outs. 8 Cut-out ins.
21 53001 (5071) Memphis	8 8 mm	00 Satin stainless steel	01 34 to 43 mm	0 Threaded cam M4	- Without	- Without escutcheon
22 53002 (5066) Savannah	5 8,5 mm	11 Polished stain. steel	02 44 to 53 mm	1 Guided cam	1 8 mm round	0 Blind
23 53004 (5064) Oslo	9 9 mm	22 Polished brass	03 54 to 63 mm		2 8 mm angluar	2 RZ
24 53010 (5057) Thun		33 Satin brass	04 64 to 73 mm		3 Piatto round	3 PZ
25 53011 (5062) New Orleans		44 Anti-bacterial	05 74 to 83 mm		4 Piatto angluar	5 WC
26 53013 (5098) Olten		55 Wrought iron look	06 84 to 93 mm			
34 50935 (5038) Lugano		99 Spec. execution	07 94 to 103 mm			
35 50937 (5040) Merkur			08 104 to 113 mm			
40 50970 (50070) Appenzell						
41 50971 (50071) Appenzell						
99 Spec. execution						

80530 E Organisation Fitting

Public, wide - steel - with round interior rose



Product profile

Battery-operated electronic organisation fitting for solid-leaf interior doors in residential buildings, offices and public areas. Opening and closing from outside take place with contact reading of the RFID-medium. Door opening is always assured with the interior lever handle; EN179-compliant with suitable lever handle.

Scope of supply

- E-fitting incl. interior rose
- Lever handle pair
- Battery pack
- Square spindle and screw set
- Quick guide

Standard version

- For DIN left-hand/right-hand doors
- Identification via RFID Mifare DESfire EV 1 (ISO 14443A)
- Programming via media or wireless access (868 MHz)
- External lever handle engaged, freewheeling

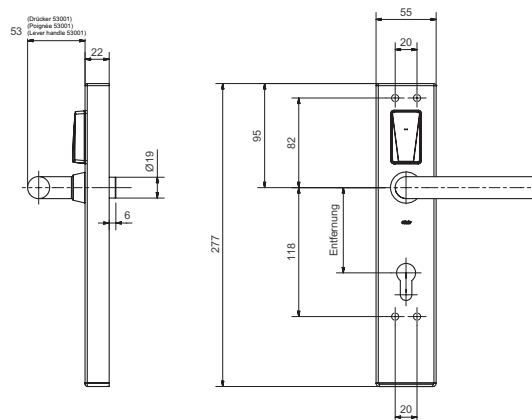
80530 · 1 · 2 · 3 · 4 · 5 · 6 · 7 · 8 · 9

1 Power supply	2 Cut-out outs. 3 Cut-out ins.	4 Distance	5 Lever handle design	6 Square spindle	7 Surface	8 Door thickness	9 Protection rose
00 Lithium Battery	0 Blind	00 Blind	21 53001 (5071) Memphis	8 8 mm	00 Satin stainless steel	01 34 to 43 mm	00 None/Blind
	2 RZ	55 55 mm	22 53002 (5066) Savannah	5 8,5 mm	11 Polished stain. steel	02 44 to 53 mm	
	3 PZ	70 70 mm	23 53004 (5064) Oslo	9 9 mm	22 Polished brass	03 54 to 63 mm	
	4 PRZ	72 72 mm	24 53010 (5057) Thun		33 Satin brass	04 64 to 73 mm	
		74 74 mm	25 53011 (5062) New Orleans		44 Anti-bacterial	05 74 to 83 mm	
		78 78 mm	26 53013 (5098) Olten		55 Wrought iron look	06 84 to 93 mm	
		85 85 mm	31 53003 (5059) Oslo angled		99 Spec. execution	07 94 to 103 mm	
		88 88 mm	32 53012 (5072) Memphis angled			08 104 to 113 mm	
		90 90 mm	33 53009 (5066) Savannah angled				
		92 92 mm	34 50935 (5038) Lugano				
		94 94 mm	35 50937 (5040) Merkur				
			40 50970 (50070) Appenzell				
			41 50971 (50071) Appenzell				
			99 Spec. execution				

RZ: 74, 78, 90, 94 mm; PZ: 55, 70, 72, 78, 85, 88, 90, 92 mm; PRZ: 74, 78, 90, 94 mm

80540 E Organisation Fitting

Public, wide - steel - without interior plate



Product profile

Battery-operated electronic organisation fitting for solid-leaf interior doors. Opening and closing from outside take place with contact reading of the RFID-medium.

Standard version

- For DIN left-hand/right-hand doors
- Identification via RFID Mifare DESfire EV 1 (ISO 14443A)
- Programming via media or wireless access (868 MHz)
- External lever handle engaged, freewheeling

Scope of supply

- E-fitting
- Lever handle for exterior
- Battery pack
- Square spindle and screw set
- Quick guide

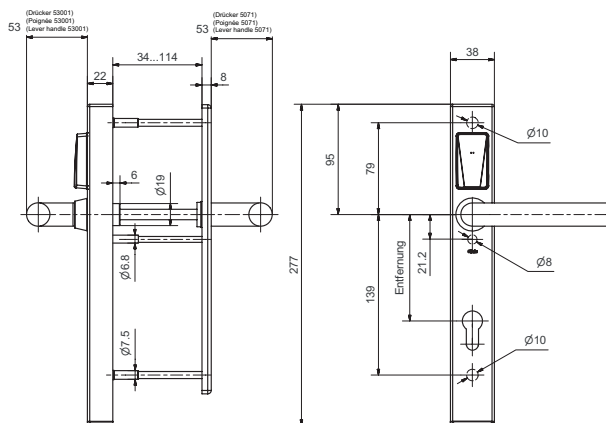
80540 · 1 · 2 · 3 · 4 · 5 · 6 · 7 · 8 · 9

1 Power supply	2 Cut-out outs. 3 Cut-out ins.	4 Distance	5 Lever handle design	6 Square spindle	7 Surface	8 Door thickness	9 Protection rose
00 Lithium Battery	0 Blind	00 Blind	21 53001 (5071) Memphis	8 8 mm	00 Satin stainless steel	01 34 to 43 mm	00 None/Blind
	2 RZ	55 55 mm	22 53002 (5066) Savannah	5 8,5 mm	11 Polished stain. steel	02 44 to 53 mm	
	3 PZ	70 70 mm	23 53004 (5064) Oslo	9 9 mm	22 Polished brass	03 54 to 63 mm	
	4 PRZ	72 72 mm	24 53010 (5057) Thun		33 Satin brass	04 64 to 73 mm	
		74 74 mm	25 53011 (5062) New Orleans		44 Anti-bacterial	05 74 to 83 mm	
		78 78 mm	26 53013 (5098) Olten		55 Wrought iron look	06 84 to 93 mm	
		85 85 mm	31 53003 (5059) Oslo angled		99 Spec. execution	07 94 to 103 mm	
		88 88 mm	32 53012 (5072) Memphis angled			08 104 to 113 mm	
		90 90 mm	33 53009 (5066) Savannah angled				
		92 92 mm	34 50935 (5038) Lugano				
		94 94 mm	35 50937 (5040) Merkur				
			40 50970 (50070) Appenzell				
			41 50971 (50071) Appenzell				
			99 Spec. execution				

RZ: 74, 78, 90, 94 mm; PZ: 55, 70, 72, 78, 85, 88, 90, 92 mm; PRZ: 74, 78, 90, 94 mm

80550 E Organisation Fitting

Public, narrow - steel - with interior plate - 79/21.5/139



Product profile

Battery-operated electronic organisation fitting for metal frame interior doors. Opening and closing from outside take place with contact reading of the RFID-medium. Door opening is always assured with the interior lever handle; EN179-compliant with suitable lever handle.

Scope of supply

- E-fitting incl. interior plate
- Lever handle pair
- Square spindle and screw set
- Battery pack
- Quick guide

Standard version

- For DIN left-hand/right-hand doors
- Identification via RFID Mifare DESfire EV 1 (ISO 14443A)
- Programming via media or wireless access (868 MHz)
- External lever handle engaged, freewheeling

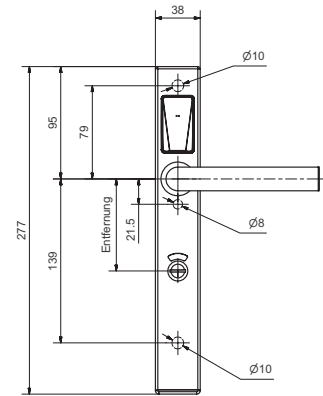
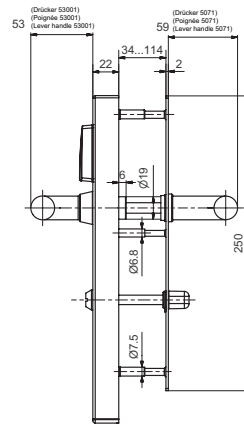
80550 · 1 · 2 · 3 · 4 · 5 · 6 · 7 · 8 · 9

1 Power supply	2 Cut-out outs. 3 Cut-out ins.	4 Distance	5 Lever handle design	6 Square spindle	7 Surface	8 Door thickness	9 Protection rose
00 Lithium Battery	0 Blind	00 Blind	21 53001 (5071) Memphis	8 8 mm	00 Satin stainless steel	01 34 to 43 mm	00 None/Blind
	2 RZ	55 55 mm	22 53002 (5066) Savannah	5 8,5 mm	11 Polished stain. steel	02 44 to 53 mm	
	3 PZ	70 70 mm	23 53004 (5064) Oslo	9 9 mm	22 Polished brass	03 54 to 63 mm	
	4 PRZ	72 72 mm	24 53010 (5057) Thun		33 Satin brass	04 64 to 73 mm	
		74 74 mm	25 53011 (5062) New Orleans		44 Anti-bacterial	05 74 to 83 mm	
		78 78 mm	26 53013 (5098) Olten		55 Wrought iron look	06 84 to 93 mm	
		85 85 mm	31 53003 (5059) Oslo angled		99 Spec. execution	07 94 to 103 mm	
		88 88 mm	32 53012 (5072) Memphis angled			08 104 to 113 mm	
		90 90 mm	33 53009 (5066) Savannah angled				
		92 92 mm	34 50935 (5038) Lugano				
		94 94 mm	35 50937 (5040) Merkur				
			40 50970 (50070) Appenzell				
			41 50971 (50071) Appenzell				
			99 Spec. execution				

RZ: 74, 78, 90, 94 mm; PZ: 55, 70, 72, 78, 85, 88, 90, 92 mm; PRZ: 74, 78, 90, 94 mm

80551 E Organisation Fitting, WC

Public, narrow - steel - with interior plate



Product profile

Battery-operated electronic organisation fitting for metal frame interior doors with WC lock for reserved toilet systems in public areas, such as hospitals, retirement homes, restaurants, petrol stations, etc. Opening and closing from outside with wireless reading of the RFID-medium. The user locks the door from the inside with the thumbturn with the bolt of the WC lock. The door can be opened from inside with the handle lever when the bolt is retracted. The exterior plate has a red/green viewer.

Standard version

- For DIN left-hand/right-hand doors
- Identification via RFID Mifare DESfire EV 1 (ISO 14443A)
- Programming via media or wireless access (868 MHz)
- External lever handle engaged, freewheeling

Scope of supply

- E-fitting with interior plate
- Lever handle pair
- Battery pack
- Square spindle and screw set
- Quick guide

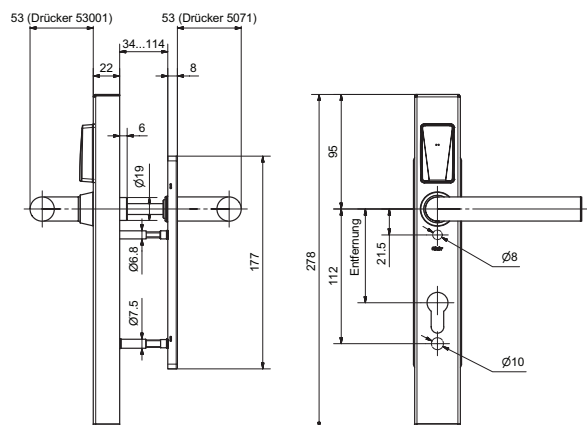
80551 · 1 · 2 · 3 · 4 · 5 · 6 · 7 · 8 · 9

1 Power supply	2 Cut-out outs. 3 Cut-out ins.	4 Distance	5 Lever handle design	6 Square spindle	7 Surface	8 Door thickness	9 Protection rose
00 Lithium Battery	5 WC	72 72 mm 78 78 mm 90 90 mm	21 53001 (5071) Memphis 22 53002 (5066) Savannah 23 53004 (5064) Oslo 24 53010 (5057) Thun 25 53011 (5062) New Orleans 26 53013 (5098) Olten 31 53003 (5059) Oslo angled 32 53012 (5072) Memphis angled 33 53009 (5066) Savannah angled 34 50935 (5038) Lugano 35 50937 (5040) Merkur 40 50970 (50070) Appenzell 41 50971 (50071) Appenzell 99 Spec. execution	8 8 mm 5 8,5 mm 9 9 mm	00 Satin stainless steel 11 Polished stain. steel 22 Polished brass 33 Satin brass 44 Anti-bacterial 55 Wrought iron look 99 Spec. execution	01 34 to 43 mm 02 44 to 53 mm 03 54 to 63 mm 04 64 to 73 mm 05 74 to 83 mm 06 84 to 93 mm 07 94 to 103 mm 08 104 to 113 mm	00 None/Blind

Thumbturn square: 7 mm, 8 mm

80552 E Organisation Fitting

Public narrow - steel - with interior plate - 76/21.5/112



Product profile

Battery-operated electronic organisation fitting for solid-leaf interior doors. Opening and closing from outside take place with contact reading of the RFID-medium. Door opening is always assured with the interior lever handle; EN179-compliant with suitable lever handle.

Scope of supply

- E-fitting incl. interior plate
- Lever handle pair
- Battery pack
- Square spindle and screw set
- Quick guide

Standard version

- For DIN left-hand/right-hand doors
- Identification with RFID Mifare DESfire EV 1 (ISO 14443A)
- Programming via media or wireless access (868 MHz)
- Exterior handle engaged, freewheeling

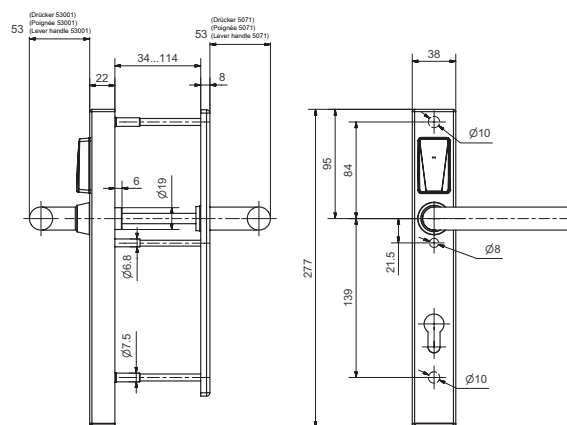
80552 · 1 · 2 · 3 · 4 · 5 · 6 · 7 · 8 · 9

1 Power supply	2 Cut-out outs. 3 Cut-out ins.	4 Distance	5 Lever handle design	6 Square spindle	7 Surface	8 Door thickness	9 Protection rose
00 Lithium Battery	0 Blind	00 Blind	21 53001 (5071) Memphis	8 8 mm	00 Satin stainless steel	01 34 to 43 mm	00 None/Blind
	2 RZ	55 55 mm	22 53002 (5066) Savannah	5 8,5 mm	11 Polished stain. steel	02 44 to 53 mm	
	3 PZ	70 70 mm	23 53004 (5064) Oslo	9 9 mm	22 Polished brass	03 54 to 63 mm	
	4 PRZ	72 72 mm	24 53010 (5057) Thun		33 Satin brass	04 64 to 73 mm	
		74 74 mm	25 53011 (5062) New Orleans		44 Anti-bacterial	05 74 to 83 mm	
		78 78 mm	26 53013 (5098) Olten		55 Wrought iron look	06 84 to 93 mm	
			31 53003 (5059) Oslo angled		99 Spec. execution	07 94 to 103 mm	
			32 53012 (5072) Memphis angled			08 104 to 113 mm	
			33 53009 (5066) Savannah angled				
			34 50935 (5038) Lugano				
			35 50937 (5040) Merkur				
			40 50970 (50070) Appenzell				
			41 50971 (50071) Appenzell				
			99 Spec. execution				

RZ: 74, 78 mm; PZ: 55, 70, 72, 78 mm; PRZ: 74, 78 mm

80555 E Organisation Fitting

Public, narrow - steel - with interior plate - 84/21.5/139



Product profile

Battery-operated electronic organisation fitting for metal frame interior doors. Opening and closing from outside take place with contact reading of the RFID-medium. Door opening is always assured with the interior lever handle; EN179-compliant with suitable lever handle.

Scope of supply

- E-fitting incl. interior plate
- Lever handle pair
- Battery pack
- Square spindle and screw set
- Quick guide

Standard version

- For DIN left-hand/right-hand doors
- Identification via RFID Mifare DESfire EV 1 (ISO 14443A)
- Programming via media or wireless access (868 MHz)
- External lever handle engaged, freewheeling

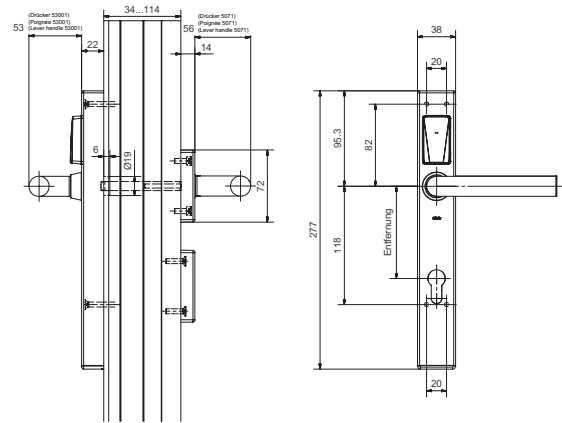
80555 • 1 • 2 • 3 • 4 • 5 • 6 • 7 • 8 • 9

1 Power supply	2 Cut-out outs. 3 Cut-out ins.	4 Distance	5 Lever handle design	6 Square spindle	7 Surface	8 Door thickness	9 Protection rose
00 Lithium Battery	0 Blind	00 Blind	21 53001 (5071) Memphis	8 8 mm	00 Satin stainless steel	01 34 to 43 mm	00 None/Blind
	2 RZ	55 55 mm	22 53002 (5066) Savannah	5 8,5 mm	11 Polished stain. steel	02 44 to 53 mm	
	3 PZ	70 70 mm	23 53004 (5064) Oslo	9 9 mm	22 Polished brass	03 54 to 63 mm	
	4 PRZ	72 72 mm	24 53010 (5057) Thun		33 Satin brass	04 64 to 73 mm	
		74 74 mm	25 53011 (5062) New Orleans		44 Anti-bacterial	05 74 to 83 mm	
		78 78 mm	26 53013 (5098) Olten		55 Wrought iron look	06 84 to 93 mm	
		85 85 mm	31 53003 (5059) Oslo angled		99 Spec. execution	07 94 to 103 mm	
		88 88 mm	32 53012 (5072) Memphis angled			08 104 to 113 mm	
		90 90 mm	33 53009 (5066) Savannah angled				
		92 92 mm	34 50935 (5038) Lugano				
		94 94 mm	35 50937 (5040) Merkur				
			40 50970 (50070) Appenzell				
			41 50971 (50071) Appenzell				
			99 Spec. execution				

RZ: 74, 78, 90, 94 mm; PZ: 55, 70, 72, 78, 85, 88, 90, 92 mm; PRZ: 74, 78, 90, 94 mm

80560 E Organisation Fitting

Public, narrow - steel - with square interior rose



Product profile

Battery-operated electronic organisation fitting for metal frame interior doors. Opening and closing from outside take place with contact reading of the RFID-medium. Door opening is always assured with the interior lever handle; EN179-compliant with suitable lever handle.

Scope of supply

- E-fitting incl. interior rose
- Lever handle pair
- Square spindle and screw set
- Battery pack
- Quick guide

Standard version

- For DIN left-hand/right-hand reversible doors
- Identification with RFID Mifare DESfire EV 1 (ISO 14443A)
- Programming via media or wireless access (868 MHz)
- Exterior handle engaged, freewheeling

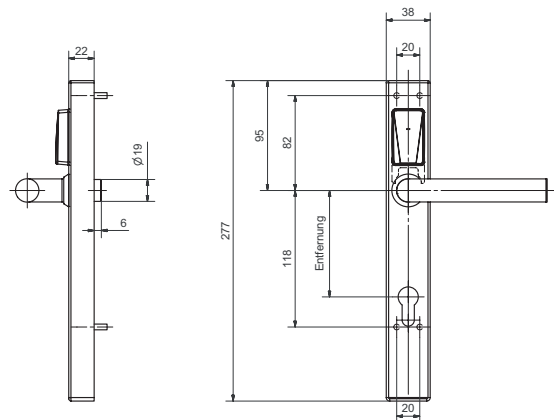
80560 · 1 · 2 · 3 · 4 · 5 · 6 · 7 · 8 · 9

1 Power supply	2 Cut-out outs. 3 Cut-out ins.	4 Distance	5 Lever handle design	6 Square spindle	7 Surface	8 Door thickness	9 Protection rose
00 Lithium Battery	0 Blind	00 Blind	21 53001 (5071) Memphis	8 8 mm	00 Satin stainless steel	01 34 to 43 mm	00 None/Blind
	2 RZ	55 55 mm	22 53002 (5066) Savannah	5 8,5 mm	11 Polished stain. steel	02 44 to 53 mm	
	3 PZ	70 70 mm	23 53004 (5064) Oslo	9 9 mm	22 Polished brass	03 54 to 63 mm	
	4 PRZ	72 72 mm	24 53010 (5057) Thun		33 Satin brass	04 64 to 73 mm	
		74 74 mm	25 53011 (5062) New Orleans		44 Anti-bacterial	05 74 to 83 mm	
		78 78 mm	26 53013 (5098) Olten		55 Wrought iron look	06 84 to 93 mm	
		85 85 mm	31 53003 (5059) Oslo angled		99 Spec. execution	07 94 to 103 mm	
		88 88 mm	32 53012 (5072) Memphis angled			08 104 to 113 mm	
		90 90 mm	33 53009 (5066) Savannah angled				
		92 92 mm	34 50935 (5038) Lugano				
		94 94 mm	35 50937 (5040) Merkur				
			40 50970 (50070) Appenzell				
			41 50971 (50071) Appenzell				
			99 Spec. execution				

RZ: 74, 78, 90, 94 mm; PZ: 55, 70, 72, 78, 85, 88, 90, 92 mm; PRZ: 74, 78, 90, 94 mm

80570 E Organisation Fitting

Public, narrow - steel - without interior plate



Product profile

Battery-operated electronic organisation fitting for metal frame interior doors. Opening and closing from outside take place with contact reading of the RFID-medium.

Standard version

- For DIN left-hand/right-hand doors
- Identification via RFID Mifare DESfire EV 1 (ISO 14443A)
- Programming via media and wireless access (868 MHz)
- External lever handle engaged, freewheeling

Scope of supply

- E-fitting
- Lever handle for exterior
- Battery pack
- Square spindle and screw set
- Quick guide

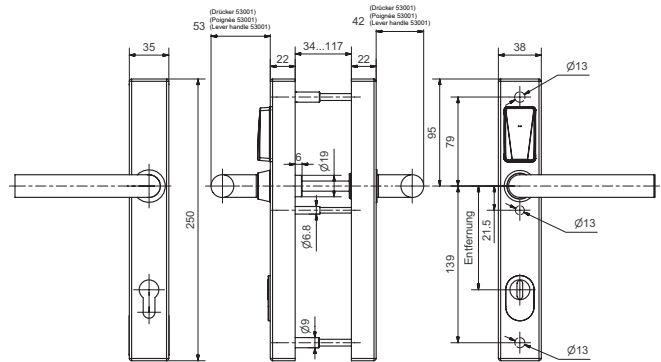
80570 · 1 · 2 · 3 · 4 · 5 · 6 · 7 · 8 · 9

1 Power supply	2 Cut-out outs. 3 Cut-out ins.	4 Distance	5 Lever handle design	6 Square spindle	7 Surface	8 Door thickness	9 Protection rose
00 Lithium Battery	0 Blind	00 Blind	21 53001 (5071) Memphis	8 8 mm	00 Satin stainless steel	01 34 to 43 mm	00 None/Blind
	2 RZ	55 55 mm	22 53002 (5066) Savannah	5 8,5 mm	11 Polished stain. steel	02 44 to 53 mm	
	3 PZ	70 70 mm	23 53004 (5064) Oslo	9 9 mm	22 Polished brass	03 54 to 63 mm	
	4 PRZ	72 72 mm	24 53010 (5057) Thun		33 Satin brass	04 64 to 73 mm	
		74 74 mm	25 53011 (5062) New Orleans		44 Anti-bacterial	05 74 to 83 mm	
		78 78 mm	26 53013 (5098) Olten		55 Wrought iron look	06 84 to 93 mm	
		85 85 mm	31 53003 (5059) Oslo angled		99 Spec. execution	07 94 to 103 mm	
		88 88 mm	32 53012 (5072) Memphis angled			08 104 to 113 mm	
		90 90 mm	33 53009 (5066) Savannah angled				
		92 92 mm	34 50935 (5038) Lugano				
		94 94 mm	35 50937 (5040) Merkur				
			40 50970 (50070) Appenzell				
			41 50971 (50071) Appenzell				
			99 Spec. execution				

RZ: 74, 78, 90, 94 mm; PZ: 55, 70, 72, 78, 85, 88, 90, 92 mm; PRZ: 74, 78, 90, 94 mm

80580 E Organisation Fitting

Public narrow - ES1 - with interior plate - 79/21.5/139



Product profile

Battery-operated electronic organisation security plate ES1 for interior and exterior metal frame doors. Opening and closing from outside take place with contact reading of the RFID-medium. Door opening is always assured with the interior lever handle; EN179-compliant with suitable lever handle.

Scope of supply

- E-fitting incl. interior plate, Lever handle pair
- Battery pack
- Square spindle and screw set
- Quick guide

Standard version

- For DIN left-hand/right-hand doors
- Identification via RFID Mifare DESfire EV 1 (ISO 14443A)
- Programming via media or wireless access (868 MHz)
- External lever handle engaged, freewheeling

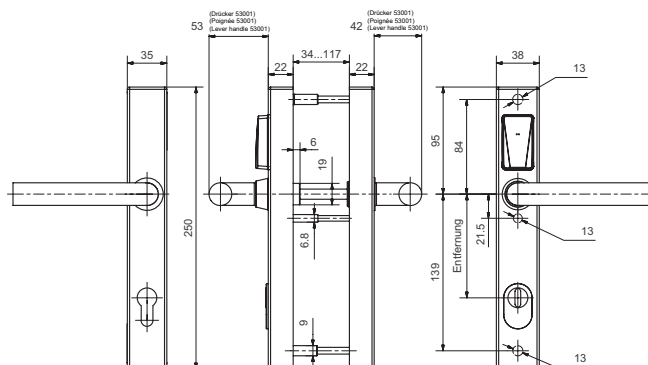
80580 · 1 · 2 · 3 · 4 · 5 · 6 · 7 · 8 · 9

1 Power supply	2 Cut-out outs. 3 Cut-out ins.	4 Distance	5 Lever handle design	6 Square spindle	7 Surface	8 Door thickness	9 Protection rose
00 Lithium Battery	0 Blind 2 RZ 3 PZ	00 Blind 72 72 mm 74 74 mm 78 78 mm 88 88 mm 92 92 mm 94 94 mm	21 53001 (5071) Memphis 22 53002 (5066) Savannah 23 53004 (5064) Oslo 24 53010 (5057) Thun 25 53011 (5062) New Orleans 26 53013 (5098) Olten 31 53003 (5059) Oslo angled 32 53012 (5072) Memphis angled 33 53009 (5066) Savannah angled 34 50935 (5038) Lugano 35 50937 (5040) Merkur 40 50970 (50070) Appenzell 41 50971 (50071) Appenzell 99 Spec. execution	8 8 mm 5 8,5 mm 9 9 mm	00 Satin stainless steel 11 Polished stain. steel 22 Polished brass 33 Satin brass 44 Anti-bacterial 55 Wrought iron look 99 Spec. execution	01 34 to 43 mm 02 44 to 53 mm 03 54 to 63 mm 04 64 to 73 mm 05 74 to 83 mm 06 84 to 93 mm 07 94 to 103 mm 08 104 to 113 mm	00 None/Blind 42 ES 1 ZA 19-28 mm

RZ: 74, 78, 94 mm; PZ: 72, 78, 88, 92 mm

80585 E Organisation Fitting

Public narrow - ES1 - with interior plate - 84/21.5/139



Product profile

Battery-operated electronic organisation security plate ES1 for interior and exterior metal frame doors. Opening and closing from outside take place with contact reading of the RFID-medium. Door opening is always assured with the interior lever handle; EN179-compliant with suitable lever handle.

Scope of supply

- E-fitting incl. interior plate, Lever handle pair
- Battery pack
- Square spindle and screw set
- Quick guide

Standard version

- For DIN left-hand/right-hand doors
- Identification via RFID Mifare DESfire EV 1 (ISO 14443A)
- Programming via media or wireless access (868 MHz)
- External lever handle engaged, freewheeling

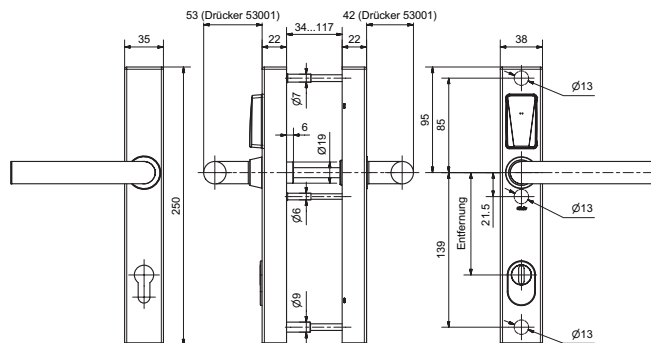
80585 · 1 · 2 · 3 · 4 · 5 · 6 · 7 · 8 · 9

1 Power supply	2 Cut-out outs. 3 Cut-out ins.	4 Distance	5 Lever handle design	6 Square spindle	7 Surface	8 Door thickness	9 Protection rose
00 Lithium Battery	0 Blind 2 RZ 3 PZ	00 Blind 72 72 mm 74 74 mm 78 78 mm 88 88 mm 92 92 mm 94 94 mm	21 53001 (5071) Memphis 22 53002 (5066) Savannah 23 53004 (5064) Oslo 24 53010 (5057) Thun 25 53011 (5062) New Orleans 26 53013 (5098) Olten 31 53003 (5059) Oslo angled 32 53012 (5072) Memphis angled 33 53009 (5066) Savannah angled 34 50935 (5038) Lugano 35 50937 (5040) Merkur 40 50970 (50070) Appenzell 41 50971 (50071) Appenzell 99 Spec. execution	8 8 mm 5 8,5 mm 9 9 mm	00 Satin stainless steel 11 Polished stain. steel 22 Polished brass 33 Satin brass 44 Anti-bacterial 55 Wrought iron look 99 Spec. execution	01 34 to 43 mm 02 44 to 53 mm 03 54 to 63 mm 04 64 to 73 mm 05 74 to 83 mm 06 84 to 93 mm 07 94 to 103 mm 08 104 to 113 mm	00 None/Blind 42 ES 1 ZA 19-28 mm

RZ: 74, 78, 94 mm; PZ: 72, 78, 88, 92 mm

80586 E Organisation Fitting

Public narrow - ES1 - with interior plate - 85/21.5/139



Product profile

Battery-operated electronic organisation security plate ES1 for interior and exterior metal frame doors. Opening and closing from outside take place with contact reading of the RFID-medium. Door opening is always assured with the interior lever handle; EN179-compliant with suitable lever handle.

Scope of supply

- E-fitting incl. interior plate
- Lever handle pair
- Battery pack
- Square spindle and screw set
- Quick guide

Standard version

- For DIN left-hand/right-hand doors
- Identification with RFID Mifare DESfire EV 1 (ISO 14443A)
- programming via media or wireless access (868 MHz)
- exterior handle engaged, freewheeling

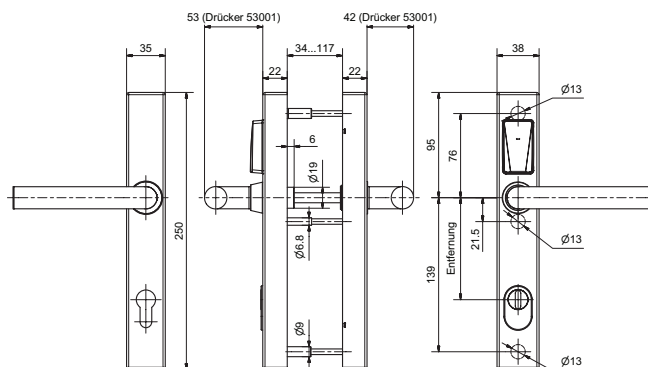
80586 · 1 · 2 · 3 · 4 · 5 · 6 · 7 · 8 · 9

1 Power supply	2 Cut-out outs. 3 Cut-out ins.	4 Distance	5 Lever handle design	6 Square spindle	7 Surface	8 Door thickness	9 Protection rose
00 Lithium Battery	0 Blind 2 RZ 3 PZ	72 72 mm 74 74 mm 92 92 mm 94 94 mm	21 53001 (5071) Memphis 22 53002 (5066) Savannah 23 53004 (5064) Oslo 24 53010 (5057) Thun 25 53011 (5062) New Orleans 26 53013 (5098) Olten 31 53003 (5059) Oslo angled 32 53012 (5072) Memphis angled 33 53009 (5066) Savannah angled 34 50935 (5038) Lugano 35 50937 (5040) Merkur 40 50970 (50070) Appenzell 41 50971 (50071) Appenzell 99 Spec. execution	8 8 mm 5 8,5 mm 9 9 mm	00 Satin stainless steel 11 Polished stain. steel 22 Polished brass 33 Satin brass 44 Anti-bacterial 55 Wrought iron look 99 Spec. execution	01 34 to 43 mm 02 44 to 53 mm 03 54 to 63 mm 04 64 to 73 mm 05 74 to 83 mm 06 84 to 93 mm 07 94 to 103 mm 08 104 to 113 mm	00 None/Blind 42 ES 1 ZA 19-28 mm

RZ: 74, 94 mm; PZ: 72, 92 mm

80587 E Organisation Fitting

Public narrow - ES1 - with interior plate - 76/21.5/139



Product profile

Battery-operated electronic organisation security plate ES1 for interior and exterior metal frame doors. Opening and closing from outside take place with contact reading of the RFID-medium. Door opening is always assured with the interior lever handle; EN179-compliant with suitable lever handle

Scope of supply

- E-fitting incl. interior plate, Lever handle pair
- Battery pack
- Square spindle and screw set
- Quick guide

Standard version

- For DIN left-hand/right-hand doors
- Identification with RFID Mifare DESfire EV 1 (ISO 14443A)
- programming via media or wireless access (868 MHz)
- exterior handle engaged, freewheeling

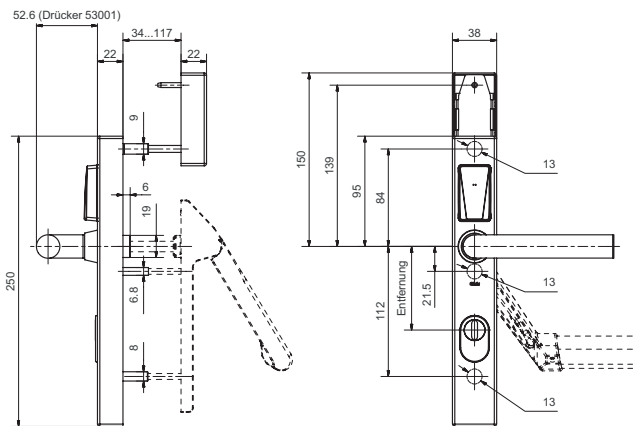
80587 · 1 · 2 · 3 · 4 · 5 · 6 · 7 · 8 · 9

1 Power supply	2 Cut-out outs. 3 Cut-out ins.	4 Distance	5 Lever handle design	6 Square spindle	7 Surface	8 Door thickness	9 Protection rose
00 Lithium Battery	0 Blind	72 72 mm	21 53001 (5071) Memphis	8 8 mm	00 Satin stainless steel	01 34 to 43 mm	00 None/Blind
	2 RZ	74 74 mm	22 53002 (5066) Savannah	5 8,5 mm	11 Polished stain. steel	02 44 to 53 mm	42 ES 1 ZA 19-28 mm
	3 PZ	92 92 mm	23 53004 (5064) Oslo	9 9 mm	22 Polished brass	03 54 to 63 mm	
		94 94 mm	24 53010 (5057) Thun		33 Satin brass	04 64 to 73 mm	
			25 53011 (5062) New Orleans		44 Anti-bacterial	05 74 to 83 mm	
			26 53013 (5098) Olten		55 Wrought iron look	06 84 to 93 mm	
			31 53003 (5059) Oslo angled		99 Spec. execution	07 94 to 103 mm	
			32 53012 (5072) Memphis angled			08 104 to 113 mm	
			33 53009 (5066) Savannah angled				
			34 50935 (5038) Lugano				
			35 50937 (5040) Merkur				
			40 50970 (50070) Appenzell				
			41 50971 (50071) Appenzell				
			99 Spec. execution				

RZ: 74, 94 mm; PZ: 72, 92 mm

80590 E Organisation Fitting

Public narrow - ES1 - for panic bars - 84/21.5/112



Product profile

Battery-operated electronic organisation security plate ES1 for interior and exterior metal frame doors. Opening and closing from outside take place with contact reading of the RFID-medium. Door opening is assured at all times with the panic bar mounted on the inside (panic function).

Standard version

- For DIN left-hand/right-hand doors
- Identification via RFID Mifare DESfire EV 1 (ISO 14443A)
- Programming via media or wireless access (868 MHz)
- External lever handle engaged, freewheeling

Scope of supply

- E-fitting incl. interior battery compartment
- Lever handle for exterior
- Battery pack
- Square spindle and screw set
- Quick guide

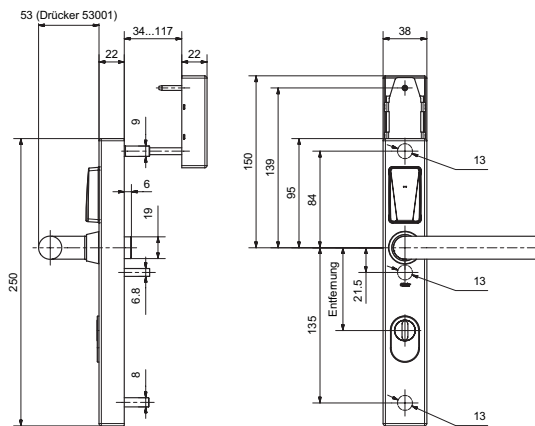
80590 · 1 · 2 · 3 · 4 · 5 · 6 · 7 · 8 · 9

1 Power supply	2 Cut-out outs. 3 Cut-out ins.	4 Distance	5 Lever handle design	6 Square spindle	7 Surface	8 Door thickness	9 Protection rose
00 Lithium Battery	0 Blind 2 RZ 3 PZ	72 72 mm 78 78 mm	21 53001 (5071) Memphis 22 53002 (5066) Savannah 23 53004 (5064) Oslo 24 53010 (5057) Thun 25 53011 (5062) New Orleans 26 53013 (5098) Olten 31 53003 (5059) Oslo angled 32 53012 (5072) Memphis angled 33 53009 (5066) Savannah angled 34 50935 (5038) Lugano 35 50937 (5040) Merkur 40 50970 (50070) Appenzell 41 50971 (50071) Appenzell 99 Spec. execution	8 8 mm 5 8,5 mm 9 9 mm	00 Satin stainless steel 11 Polished stain. steel 22 Polished brass 33 Satin brass 44 Anti-bacterial 55 Wrought iron look 99 Spec. execution	01 34 to 43 mm 02 44 to 53 mm 03 54 to 63 mm 04 64 to 73 mm 05 74 to 83 mm 06 84 to 93 mm 07 94 to 103 mm 08 104 to 113 mm	00 None/Blind 42 ES 1 ZA 19-28 mm

RZ: 78 mm; PZ: 72 mm

80593 E Organisation Fitting

Public narrow - ES1 - for panic bars - 84/21.5/135



Product profile

Battery-operated electronic organisation security plate ES1 for interior and exterior metal frame doors. Opening and closing from outside take place with contact reading of the RFID-medium. Door opening is assured at all times with the panic bar mounted on the inside (panic function).

Standard version

- For DIN left-hand/right-hand doors
- Identification via RFID Mifare DESfire EV 1 (ISO 14443A)
- Programming via media or wireless access (868 MHz)
- External lever handle engaged, freewheeling

Scope of supply

- E-fitting incl. interior battery compartment
- Lever handle for exterior
- Battery pack
- Square spindle and screw set
- Quick guide

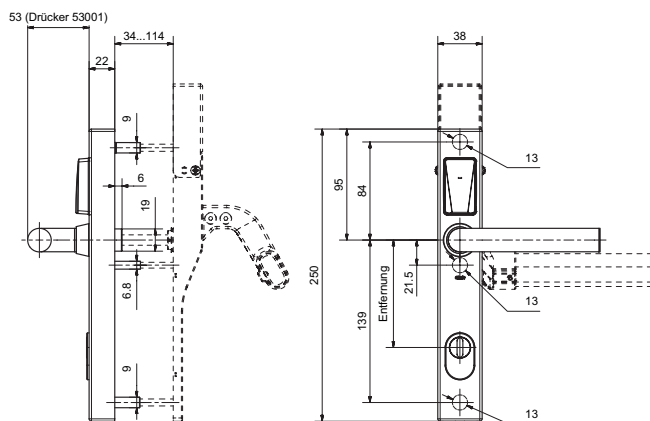
80593 · 1 · 2 · 3 · 4 · 5 · 6 · 7 · 8 · 9

1 Power supply	2 Cut-out outs. 3 Cut-out ins.	4 Distance	5 Lever handle design	6 Square spindle	7 Surface	8 Door thickness	9 Protection rose
00 Lithium Battery	0 Blind	72 72 mm	21 53001 (5071) Memphis	8 8 mm	00 Satin stainless steel	01 34 to 43 mm	00 None/Blind
	2 RZ	74 74 mm	22 53002 (5066) Savannah	5 8,5 mm	11 Polished stain. steel	02 44 to 53 mm	42 ES 1 ZA 19-28 mm
	3 PZ	78 78 mm	23 53004 (5064) Oslo	9 9 mm	22 Polished brass	03 54 to 63 mm	
		92 92 mm	24 53010 (5057) Thun		33 Satin brass	04 64 to 73 mm	
		94 94 mm	25 53011 (5062) New Orleans		44 Anti-bacterial	05 74 to 83 mm	
			26 53013 (5098) Olten		55 Wrought iron look	06 84 to 93 mm	
			31 53003 (5059) Oslo angled		99 Spec. execution	07 94 to 103 mm	
			32 53012 (5072) Memphis angled			08 104 to 113 mm	
			33 53009 (5066) Savannah angled				
			34 50935 (5038) Lugano				
			35 50937 (5040) Merkur				
			40 50970 (50070) Appenzell				
			41 50971 (50071) Appenzell				
			99 Spec. execution				

RZ: 74, 78, 94 mm; PZ: 72, 78, 92 mm

80596 E Organisation Fitting

Public narrow - ES1 - for panic bars - 84/21.5/139



Product profile

Battery-operated electronic organisation security plate ES1 for interior and exterior metal frame doors. Opening and closing from outside take place with contact reading of the RFID-medium. Door opening is assured at all times with the panic bar mounted on the inside (panic function).

Standard version

- For DIN left-hand/right-hand doors
- Identification via RFID Mifare DESfire EV 1 (ISO 14443A)
- Programming via media or wireless access (868 MHz)
- External lever handle engaged, freewheeling

Scope of supply

- E-fitting incl. interior battery compartment
- Lever handle for exterior
- Battery pack
- Square spindle and screw set
- Quick guide

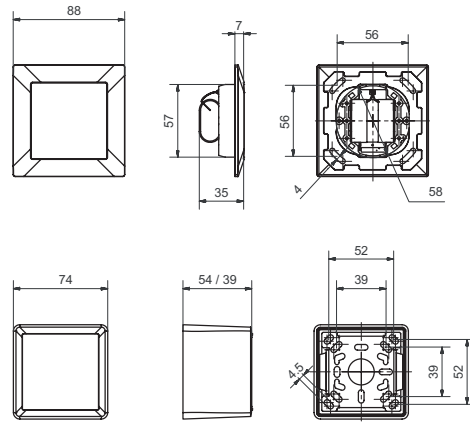
80596 · 1 · 2 · 3 · 4 · 5 · 6 · 7 · 8 · 9

1 Power supply	2 Cut-out outs. 3 Cut-out ins.	4 Distance	5 Lever handle design	6 Square spindle	7 Surface	8 Door thickness	9 Protection rose
00 Lithium Battery	0 Blind 2 RZ 3 PZ	72 72 mm 74 74 mm 78 78 mm 88 88 mm 92 92 mm 94 94 mm	21 53001 (5071) Memphis 22 53002 (5066) Savannah 23 53004 (5064) Oslo 24 53010 (5057) Thun 25 53011 (5062) New Orleans 26 53013 (5098) Olten 31 53003 (5059) Oslo angled 32 53012 (5072) Memphis angled 33 53009 (5066) Savannah angled 34 50935 (5038) Lugano 35 50937 (5040) Merkur 40 50970 (50070) Appenzell 41 50971 (50071) Appenzell 99 Spec. execution	8 8 mm 5 8,5 mm 9 9 mm	00 Satin stainless steel 11 Polished stain. steel 22 Polished brass 33 Satin brass 44 Anti-bacterial 55 Wrought iron look 99 Spec. execution	01 34 to 43 mm 02 44 to 53 mm 03 54 to 63 mm 04 64 to 73 mm 05 74 to 83 mm 06 84 to 93 mm 07 94 to 103 mm 08 104 to 113 mm	00 None/Blind 42 ES 1 ZA 19-28 mm

RZ: 74, 78, 94 mm; PZ: 72, 78, 88, 92 mm

82200 E-reader RFID/code battery

Surface-mounted/flush-mounted for indoors



Product profile

RFID/code reader for indoor use.

The E-readers are available in attractive Feller EDIZIOdue (IP40) and can be combined with all switches, sockets and frames from the Feller assortment

Scope of supply

- E-reader
- Battery pack
- Quick guide

Standard version

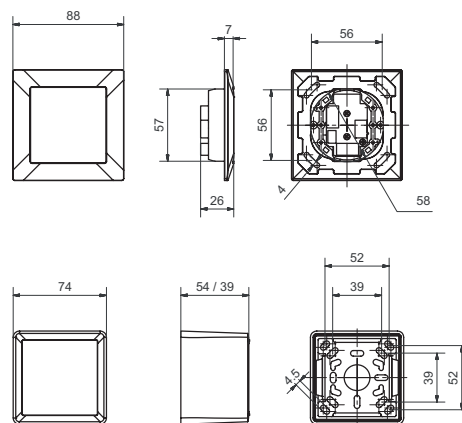
- Identification via RFID Mifare DESfire EV 1 (ISO 14443A) and code
- Glutz Wireless Access communication (868 MHz)
- Feller Design IP40
- Surface-mounted 1-piece, dimensions 74 x 74 mm, 39/54 mm high
- Flush-mounted 1-piece, dimensions 88 x 88 mm (plastic), 94 x 94 mm (others)
- Battery mode

82200 • 1 • 2 • 3 • 4

1 Power supply	2 AP-housing	3 UP Frame	4 Front
00 Lithium Battery	60 Black IP 40 (54mm) 61 White IP 40 (54mm) 30 Black IP 40 (39mm) 31 White IP 40 (39mm) 00 no AP-Housing	00 no UP Frame 60 Plastic black IP 40 61 Plastic white IP 40 70 Satin stainless steel IP 40 71 Polished stainless steel IP 40 82 Black gold polished IP 40 81 Aluminium white IP 40 90 Glass white IP 40	60 Black IP 40 61 White IP 40

82200 E-reader RFID/code remote

Surface-mounted/flush-mounted for indoors



Product profile

RFID/code reader for indoor use.

The E-readers are available in attractive Feller EDIZIOdue (IP40) and can be combined with all switches, sockets and frames from the Feller assortment

Standard version

- Identification via RFID Mifare DESfire EV 1 (ISO 14443A) and code
- Communication: Glutz Wireless Access (868 MHz); RS485 bus
- Feller Design IP40
- Surface-mounted 1-piece, dimensions 74 x 74 mm, 39/54 mm high
- Flush-mounted 1-piece, dimensions 88 x 88 mm (plastic), 94 x 94mm (others)
- Mains operation (12-24VDC), power consumption: max. 150mA at

12V, 75mA at 24V

- 2 relay changeover contacts, potential-free, 0-30 V max. 1 A
- 2 inputs, galvanically isolated, 5-27 V DC

Scope of supply

- E-reader
- Quick guide

Important note

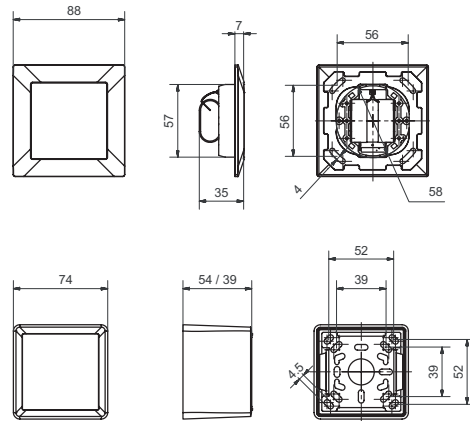
E-reader only operated with regulated direct current!

82200 · 1 · 2 · 3 · 4

1 Power supply	2 AP-housing	3 UP Frame	4 Front
11 external, bus	60 Black IP 40 (54mm) 61 White IP 40 (54mm) 30 Black IP 40 (39mm) 31 White IP 40 (39mm) 00 no AP-Housing	00 no UP Frame 60 Plastic black IP 40 61 Plastic white IP 40 70 Satin stainless steel IP 40 71 Polished stainless steel IP 40 82 Black gold polished IP 40 81 Aluminium white IP 40 90 Glass white IP 40	60 Black IP 40 61 White IP 40

82210 E-reader RFID battery

Surface-mounted/flush-mounted for indoors



Product profile

RFID reader for indoor use.

The E-readers are available in attractive Feller EDIZIOdue (IP40) and can be combined with all switches, sockets and frames from the Feller assortment

Scope of supply

- E-reader
- Battery pack
- Quick guide

Standard version

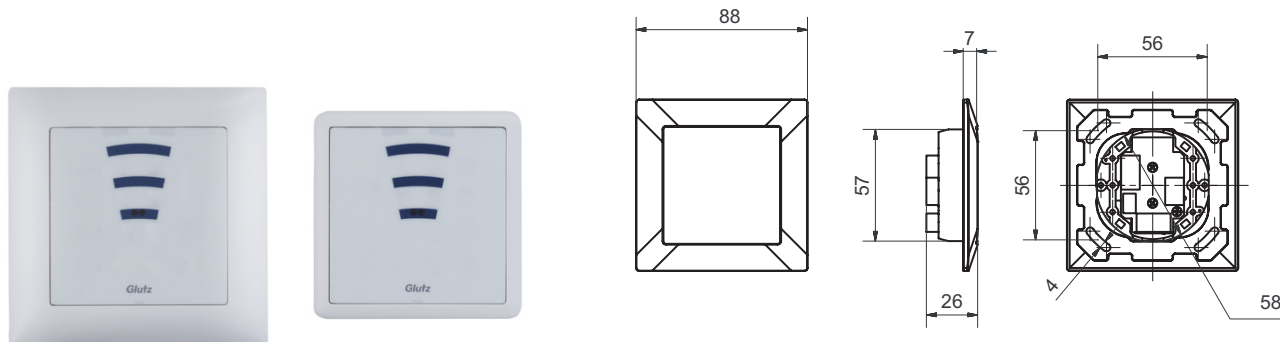
- Identification via RFID Mifare DESfire EV 1 (ISO 14443A)
- Glutz Wireless Access communication (868 MHz)
- Feller Design IP40
- Surface-mounted 1-piece, dimensions 74 x 74 mm, 39/54 mm high
- Flush-mounted 1-piece, dimensions 88 x 88 mm (plastic), 94 x 94 mm (others)
- Battery mode

82210 · 1 · 2 · 3 · 4

1 Power supply	2 AP-housing	3 UP Frame	4 Front
00 Lithium Battery	60 Black IP 40 (54mm) 61 White IP 40 (54mm) 30 Black IP 40 (39mm) 31 White IP 40 (39mm) 00 no AP-Housing	00 no UP Frame 60 Plastic black IP 40 61 Plastic white IP 40 70 Satin stainless steel IP 40 71 Polished stainless steel IP 40 82 Black gold polished IP 40 81 Aluminium white IP 40 90 Glass white IP 40	60 Black IP 40 61 White IP 40

82210 E-reader RFID remote

Surface-mounted/flush-mounted for indoors



Product profile

RFID reader for indoor use.

The E-readers are available in attractive Feller EDIZIOdue (IP40) and can be combined with all switches, sockets and frames from the Feller assortment

Standard version

- Identification via RFID Mifare DESfire EV 1 (ISO 14443A)
- Glutz Wireless Access communication (868 MHz)
- Feller Design IP40
- Surface-mounted 1-piece, dimensions 74 x 74 mm, 39/54 mm high
- Flush-mounted 1-piece, dimensions 88 x 88 mm (plastic), 94 x 94 mm (others)
- Mains operation (12-24VDC), power consumption: max. 150mA at 12V, 75mA at 24V

- 2 relay changeover contacts, potential-free, 0-30 V max. 1 A
- 2 inputs, galvanically isolated, 5-27 V DC

Scope of supply

- E-reader
- Quick guide

Important note

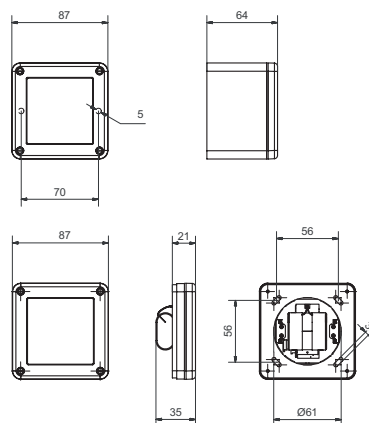
E-reader only operated with regulated direct current!

82210 · 1 · 2 · 3 · 4

1 Power supply	2 AP-housing	3 UP Frame	4 Front
11 external, bus	60 Black IP 40 (54mm) 61 White IP 40 (54mm) 30 Black IP 40 (39mm) 31 White IP 40 (39mm) 00 no AP-Housing	00 no UP Frame 60 Plastic black IP 40 61 Plastic white IP 40 70 Satin stainless steel IP 40 71 Polished stainless steel IP 40 82 Black gold polished IP 40 81 Aluminium white IP 40 90 Glass white IP 40	60 Black IP 40 61 White IP 40

82400 E-reader RFID/code battery

Surface-mounted/flush-mounted for outdoors



Product profile

RFID/code reader for outdoor use. The reader are available as Feller Design (IP-55) available

Standard version

- Identification via RFID Mifare DESfire EV 1 (ISO 14443A) and code
- Glutz Wireless Access communication (868 MHz)
- Feller Design IP55
- Surface-mounted/flush-mounted 1-piece
- Dimensions 87 x 87 mm
- Battery mode

Scope of supply

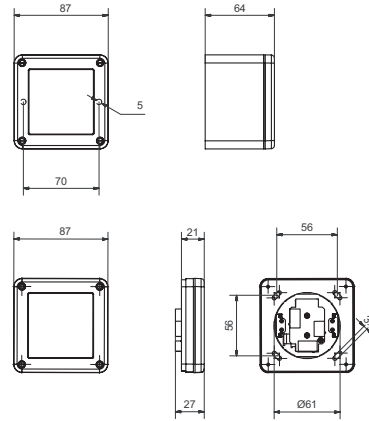
- E-reader
- Quick guide
- Battery pack

82400 · 1 · 2 · 3 · 4

1 Power supply	2 AP-housing	3 UP Frame	4 Front
00 Lithium Battery	10 Black IP 55 11 White IP 55 00 no AP-Housing	00 no UP Frame 90 Glass white IP 40 10 Black IP 55	10 Black IP 55 11 White IP 55

82400 E-reader RFID/code remote

Surface-mounted/flush-mounted for outdoors



Product profile

RFID/code reader for outdoor use. The reader are available as Feller (IP-55) design.

Scope of supply

- E-reader
- Quick guide

Standard version

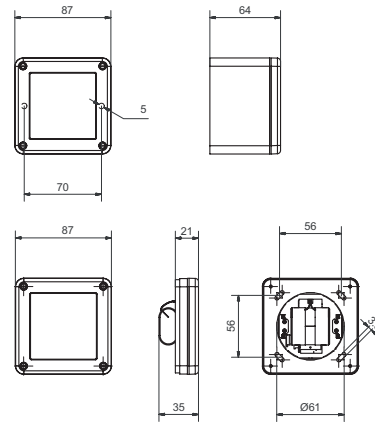
- Identification via RFID Mifare DESfire EV 1 (ISO 14443A) and code
- Glutz Wireless Access communication (868 MHz) or RS485 bus
- Feller Design
- Surface-mounted/flush-mounted 1-piece
- Dimensions 87 x 87 mm
- Mains operation (12-24VDC), power consumption: max. 150mA at 12V, 75mA at 24V
- 2 relay changeover contacts, potential-free, 0-30 V max. 1 A
- 2 inputs, galvanically isolated, 5-27 V DC

82400 · 1 · 2 · 3 · 4

1 Power supply	2 AP-housing	3 UP Frame	4 Front
11 external, bus	10 Black IP 55 11 White IP 55 00 no AP-Housing	00 no UP Frame 10 Black IP 55 11 White IP 55	10 Black IP 55 11 White IP 55

82410 E-reader RFID battery

Surface-mounted/flush-mounted for outdoors



Product profile

RFID reader for outdoor use. The reader are available as Feller Design (IP-55) available

Standard version

- Identification via RFID Mifare DESfire EV 1 (ISO 14443A)
- Glutz Wireless Access communication (868 MHz)
- Feller Design IP55
- Surface-mounted/flush-mounted 1-piece
- Dimensions 87 x 87 mm
- Battery mode

Scope of supply

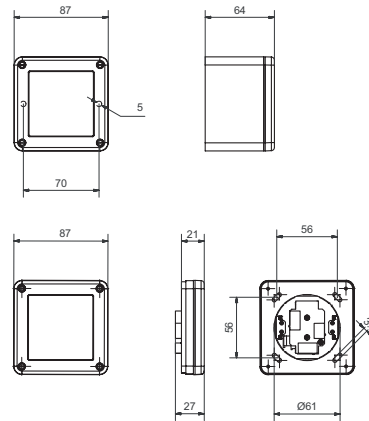
- E-reader
- Quick guide
- Battery pack

82410 · 1 · 2 · 3 · 4

1 Power supply	2 AP-housing	3 UP Frame	4 Front
00 Lithium Battery	10 Black IP 55 11 White IP 55 00 no AP-Housing	00 no UP Frame 10 Black IP 55 11 White IP 55	10 Black IP 55 11 White IP 55

82410 E-reader RFID remote

Surface-mounted/flush-mounted for outdoors



Product profile

RFID reader for outdoor use.

The reader are available as Feller (IP-55) design.

Scope of supply

- E-reader
- Quick guide

Standard version

- Identification via RFID Mifare DESfire EV 1 (ISO 14443A)
- Glutz Wireless Access communication (868 MHz) or RS485 bus
- Feller Design
- Surface-mounted/flush-mounted 1-piece
- Dimensions 87 x 87 mm
- Mains operation (12-24VDC), power consumption: max. 150mA at 12V, 75mA at 24V
- 2 relay changeover contacts, potential-free, 0-30 V max. 1 A
- 2 inputs, galvanically isolated, 5-27 V DC

82410 · 1 · 2 · 3 · 4

1 Power supply	2 AP-housing	3 UP Frame	4 Front
11 external, bus	10 Black IP 55 11 White IP 55 00 no AP-Housing	00 no UP Frame 10 Black IP 55 11 White IP 55	10 Black IP 55 11 White IP 55

82550 E Secure Box



Product profile

Secure storage with eAccess RFID code reader, battery-operated. The standard solution enables temporally limited, individually programmable access. Opening and closing from outside take place with contact reading of the medium, such as a key tag or with entry of a PIN. A mechanical key is available for emergency opening

Standard version

Identification via RFID Mifare DESfire EV 1 (ISO 14443A) or PIN
 Programming via media or wireless access (868 MHz)
 Housing design: Single-wall
 Door design: Single-wall, 4 mm door leaf
 Door locking: One side
 Locking bolt: 15 mm thick
 Door hinges: Internal
 Anchor holes: 4 x rear wall, 4 x bottom
 Paint: Dark grey
 Electronic lock, 17 mm protrusion, batteries integrated, mech. emergency opening lock with 2 keys

Options

82550.200: 200 x 310 x 200 (H x W x D)
 82550.225: 250 x 350 x 250 (H x W x D)
 82550.250: 250 x 450 x 365 (H x W x D)
 82550.380: 380 x 350 x 360 (H x W x D)
 82550.520: 520 x 350 x 360 (H x W x D)

Scope of supply

Secure box
 2 x emergency key
 4 x AA battery
 Quick guide

82551.365 E-Keycase



Product profile

Key cases with eAccess RFID code reader, battery-operated.
The standard solution enables temporarily limited, individually programmable access.
Opening and closing from outside take place with contact reading of the medium, such as a key tag or with entry of a PIN.
A mechanical key is available for emergency opening

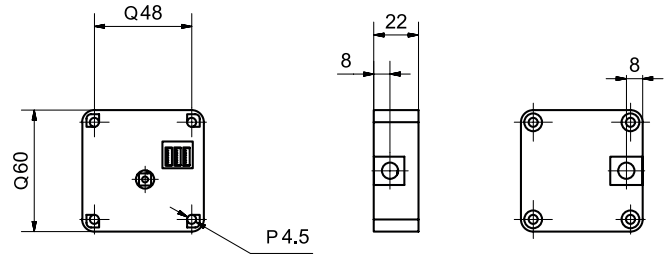
Standard version

Identification via RFID Mifare DESfire EV 1 (ISO 14443A) or PIN
Programming via media or wireless access (868 MHz)
Dimensions: 365 x 300 x 100 (W x H x D)
Housing design: Single-wall
Door design: Single-wall, 4 mm door leaf
Door locking: One side
Locking bolt: 15 mm thick
Door hinges: Internal
Anchor holes: 4 x rear wall
Paint: Dark grey
Electronic lock, protruding 16 mm, batteries incorporated, mech.
emergency opening lock with 2 keys
Holder for 21 keys
Side night deposit slot for keys

Scope of supply

Key case
2 x emergency key
4 x AA battery
Quick guide

82500 E-Locker 13



Product profile

Electronic battery-operated furniture lock with integrated access control for 50 media. For locking of furniture doors/swing doors, drawers, sliding doors, cabinets, etc. RFID cards and key fobs are used for opening, reading range of up to 16 mm.

Standard version

- Battery-operated furniture lock
- Identification via RFID (ISO 14443A) Mifare and NFC
- Mounting on wood
- Scanning range
- Glutz or third-party access card up to 16 mm
- Automated teller machine card, credit card (NFC) up to 10 mm
- Glutz G-Line Clip or third-party key fob between 5 and 10 mm
- Dimensions: 60 x 60 x 22 mm
- Hole spacing distance: 48mm
- Maximum counter pressure: 2.5 kg
- Breaking load: 120 kg
- Housing: black plastic
- Temperature: 2 – 40° C
- For interior rooms only
- Battery service life 20,000 cycles / 2 years

Options

- Function: Fitness studio
- Function: Alarm
- Locking accessory

Scope of supply

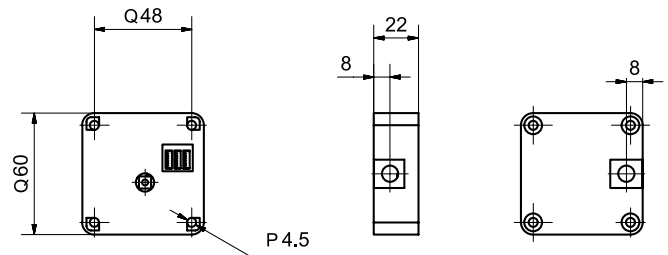
- 1 x E-Locker 13
- 1 x lithium battery 3V
- 1 x sticker with RFID symbol to indicate external position

Important note

Card programming only

82505 E-Locker 13

with external antenna



Product profile

Electronic battery-operated furniture lock with integrated access control for 50 media devices. For locking of furniture doors/swing doors, drawers, sliding doors, glass cabinets, etc. RFID cards and key fobs are used for unlocking, reading range of up to 16mm

Standard version

- Battery-operated furniture lock with external antenna
- Identification via RFID (ISO 14443A) Mifare and NFC
- Installation on wood or in metal cabinets (with metal kit)
- Scanning range
- Glutz or third+party access card up to 16 mm
- Bank card, credit card (NFC) up to 10 mm
- Glutz G-Line Clip or third-party key fob between 5 and 10 mm
- Dimensions: 60 x 60 x 22 mm
- Fixing centres: 48mm
- Maximum opposing force: 2.5 kg
- Breaking strength: 120 kg
- Housing: black plastic
- Temperature range: 2 – 40° C
- For indoor applications only
- Battery life 20,000 cycles / 2 years

Options

- Function: Fitness studio
- Function: Alarm
- Locking element accessory

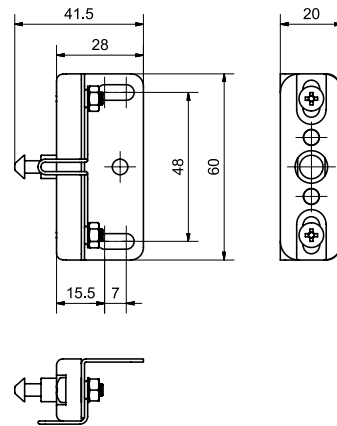
Scope of supply

- 1 x sticker with RFID symbol for exterior position indication
- 1 x 3V lithium battery
- 1 x E-Locker 13

Important note

Card programming only

82510 Long angular striking plate for E-Locker 13



Product profile

Equipped with a 3D installation bracket and spring, this locking element offers maximum comfort during installation. The installation tolerances are 6 mm and the spring is provided for contact pressure on a door. There is an additional hole on the timber side for fixing in the final position and as anti-shift protection.

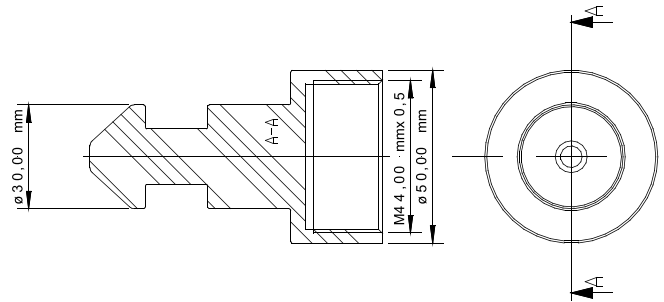
Standard version

- Contact pressure spring
- Tolerance of the stud: +/- 3mm
- Installation on wood
- Predetermined breaking point: 35 kg
- Casing: Black, zinc diecasting

Options

- 82511 Mini locking element
- 82512 Front locking element

82511 Mini locking element for E-Locker 13



Product profile

Smallest dimension, refined finished
Easy to fasten, screw included
Application: Glass cabinets, sliding doors

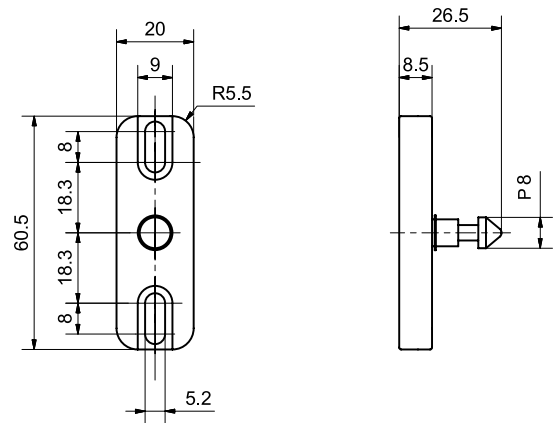
Standard version

- Tolerance of the stud: +/- 1mm
- Without predetermined breaking point
- Material: Brass, nickel surface

Options

- 82510 Long angular striking plate
- 82512 Front locking element

82512 Front locking element for E-Locker 13



Product profile

Front locking element for installation on sliding doors

Standard version

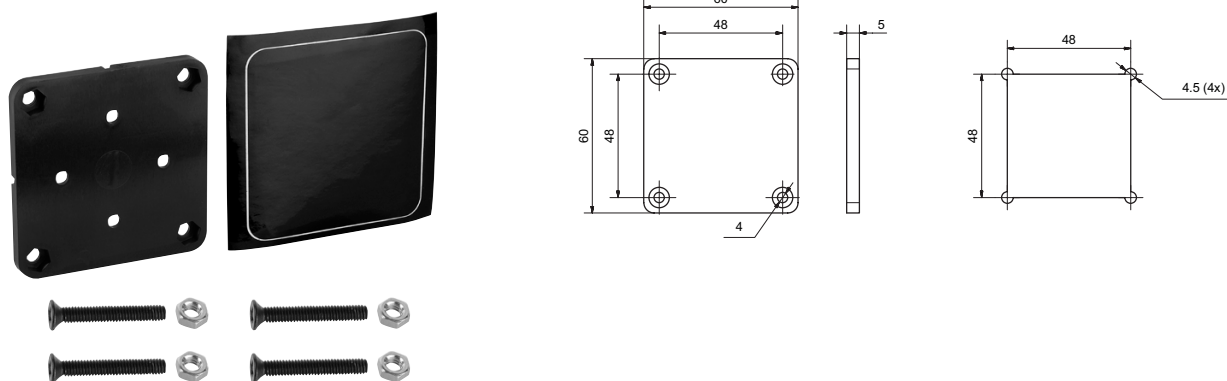
- Tolerance of the stud: +/- 3mm
- Installation on wood
- Predetermined breaking point: 35 kg
- Casing: Black, zinc diecasting

Options

- 82510 Long angular striking plate
- 82511 Mini locking element

82513 Metal kit

for E-Locker 13



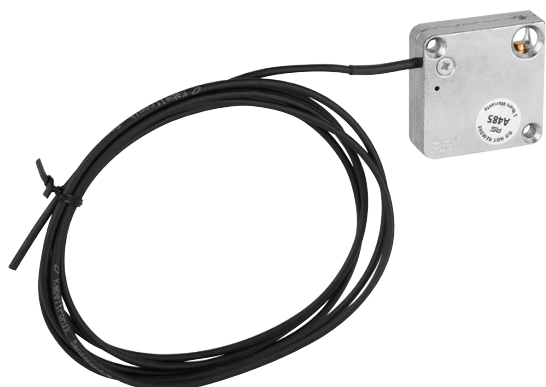
Product profile

Installation kit for metal lockers for e-Locker 13 An appropriate opening must be made for installation in metal locker.

Scope of supply

- Front frame
- 4 x fixing screws
- Adhesive concealing cover

82530 E-Locker Mini 3V



Product profile

Minimal dimensions, durable internal motor, nickel plated surface.

Application:

Caravans / yachts

Glass cabinets / drawers

Lockers

Sliding doors

Interior doors

Standard version

- Control with 3 V
- Casing: Zamak, nickel plated
- Control:
 - 3V DC open (brown)
 - 3V DC closed (black)
 - 0V GND (blue)
- 1.5m cable

Options

- 82531 E-Locker Mini 12V

82531 E-Locker Mini 12V



Product profile

Minimal dimensions, durable internal motor, nickel plated surface.

Application:

Caravans / yachts

Glass cabinets / drawers

Lockers

Sliding doors

Interior doors

Standard version

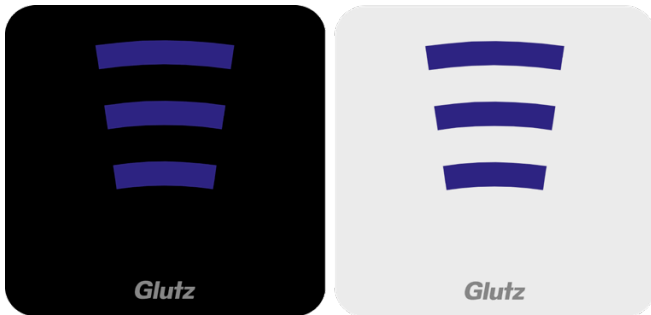
- Control with 12 V
- Casing: Zamak, nickel plated
- Control:
 - 3V DC open (brown)
 - 3V DC closed (black)
 - 0V GND (blue)
- 1.5m cable

Options

- 82531 E-Locker Mini 12V

82541 RFID booster

for E-Locker 13



Product profile

RFID booster for E-Locker 13 (82500, 82501)

Self-adhesive label for assembly on cabinet doors, etc.

Amplifies the RFID signal of E-Locker 13 to enable door thicknesses of up to 17mm.

Application only on plastic or wood surfaces

Standard version

Colour: white or black

Size: 35 x 35 mm, Thickness: 1mm

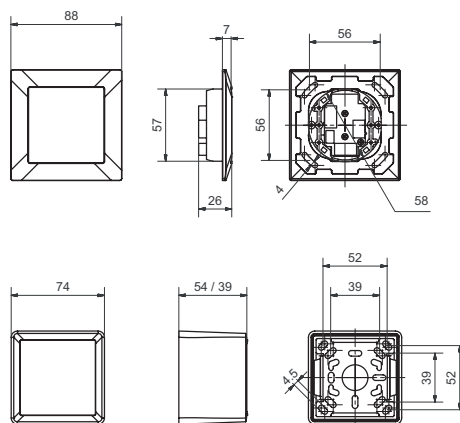
Important note

Reading distance can vary depending on design

RFID booster must be mounted centred (distance of 1 to 17mm) in front of the E-Locker 13

82610 I/O-Module 2R2I

for indoor applications



Product profile

I/O-Module, Feller EDIZIOdue (IP 40) for indoor applications. The I/O module serves as a remote processing unit for use with E readers or E hardware. The I/O modules are available in the elegant Feller EDIZIOdue(IP 40) and can be combined with all switches, sockets and frames out of the Feller assortment.

Scope of supply

- I/O-Module
- Quick guide

Important note

Operate the I/O-module, with direct current only.

Standard version

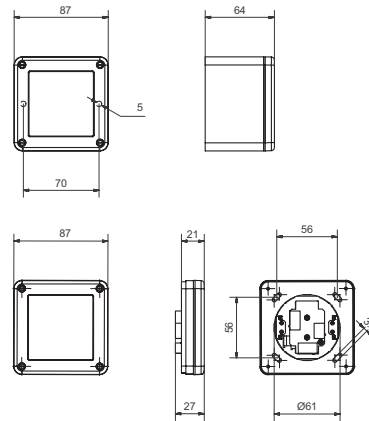
- Design Feller EDIZIOdue IP 40
- Communication radio 868 MHz or RS485 Bus
- Frame for flush mounting / controllerhousing AP height 39/54 mm, white/black
- Network operation (12-24VDC)
- 2 Switch contacts potential free
- 2 Inputs

82610 · 1 · 2 · 3 · 4

1 Power supply	2 AP-housing	3 UP Frame	4 Front
11 external, bus	60 Black IP 40 (54mm) 61 White IP 40 (54mm) 30 Black IP 40 (39mm) 31 White IP 40 (39mm) 00 no AP-Housing	00 no UP Frame 60 Plastic black IP 40 61 Plastic white IP 40 70 Satin stainless steel IP 40 71 Polished stainless steel IP 40 82 Black gold polished IP 40 81 Aluminium white IP 40 90 Glass white IP 40	60 Black IP 40 61 White IP 40

82620 I/O-Module 2R2I

for outdoor applications



Product profile

I/O-Module, Feller (IP 55) for outdoor applications. The I/O module serves as a remote processing unit for use with E readers or E hardware. The I/O modules are available in IP 55 design.

Standard version

- Design Feller IP 55
- Communication radio 868 MHz or RS485 Bus
- Frame for flush mounting IP 55
- controller housing for surface mounting IP 55 height 64 mm
- Network operation (12-24VDC)
- 2 Switch contacts potential free
- 2 Inputs

Scope of supply

- I/O-Module
- Quick guide

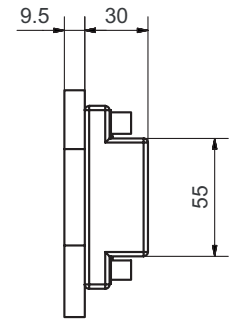
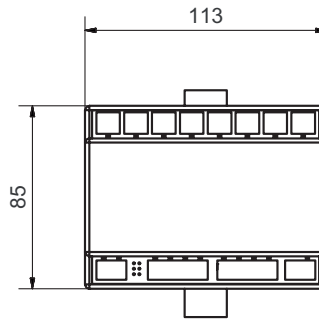
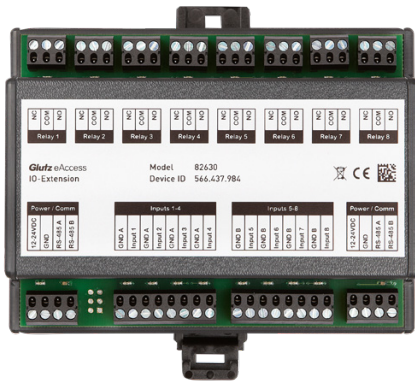
Important note

Operate the I/O-module, with direct current only.

82620 · 1 · 2 · 3 · 4

1 Power supply	2 AP-housing	3 UP Frame	4 Front
11 external, bus	10 Black IP 55 11 White IP 55 00 no AP-Housing	00 no UP Frame 10 Black IP 55 11 White IP 55	10 Black IP 55 11 White IP 55

82630 I/O extender 8R8I



Product profile

- Activation for selective control units, mailboxes, compartment systems or lifts
- Cascading of up to 4 I/O extenders
- 8 relay outputs (potential-free)
- 8 inputs (not potential-free)
- An RS-485 bus connection to an E-reader or an I/O module is required for activation.

Standard version

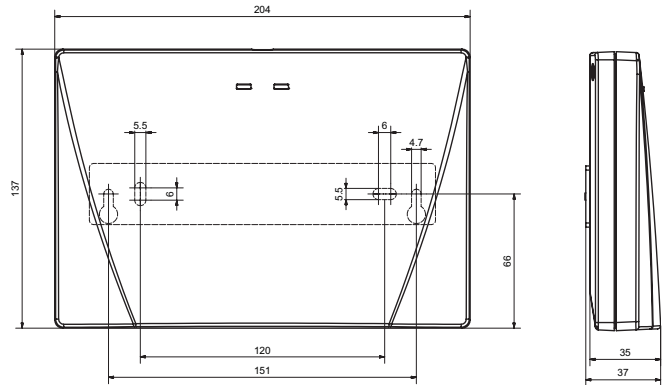
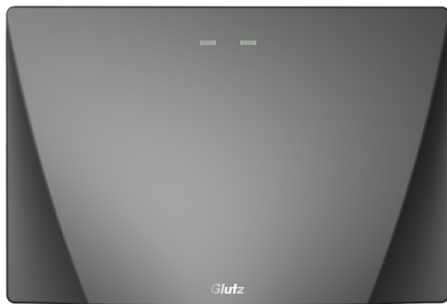
- Top-hat rail housing, including mount for DIN rails
- RS485 Bus
- Mains operation (12-24VDC), power consumption: max. 350mA at 12V, max. 220mA at 24V, 3.6 W in standby
- 8 relay changeover contacts, potential-free, 0-30 V max. 1 A
- 8 inputs, not galvanically isolated
- Dimensions (WxHxD): 113 x 85 x 30mm (without mount)

Scope of supply

- I/O-Extender

82800 NET Gateway

for indoor applications



Product profile

NET Gateway for indoor applications, wireless range extension with integrated antennas.

A operational TCP/IP network is required for operation; this network must be appropriately configured for building-wide functions. No network skills are required for the wireless network.

Standard version

- Ethernet interface (RJ-45) / TCP/IP / RS485 Bus
- PoE (Power over Ethernet) IEEE-802.3af, max. 15.4 W
- Mains operation (12-24VDC), Current consumption: 250mA at 12V / 200mA at 24V, 1.5 W in standby
- Dimensions (WxHxD): 204 x 137 x 35 mm

Scope of supply

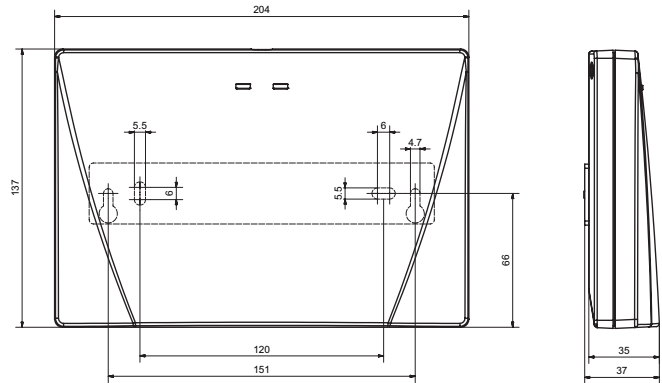
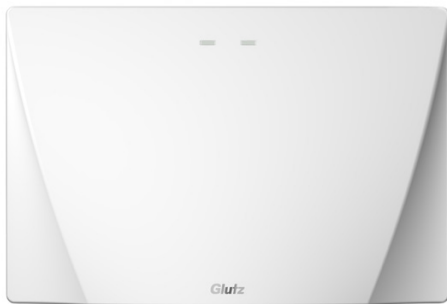
- NET gateway
- Mount for wall fastening, fixing screws and anchors
- Instruction manual

82800 · 1 · 2 · 3 · 4

1 Power supply	2 Housing	3 Antennas	4 Mounting
44 PoE, ethernet	30 black 31 white	02 2 antennas	01 wall mounting

82850 NET Repeater Plus

for indoor applications



Product profile

NET Repeater Plus for indoor applications, wireless range extension with integrated antennas.

No network skills are required for the wireless network. RS-485 connection for easy linking of 2 NET-Repeater Plus units. The power supply takes place via external mains adapter.

Standard version

- Communication: Glutz Wireless Access (868 MHz); RS485 bus
- Mains operation (12-24VDC), Current consumption: 50mA at 12V/24V, 250mW in standby
- Dimensions (WxHxD): 204 x 137 x 35 mm

Scope of supply

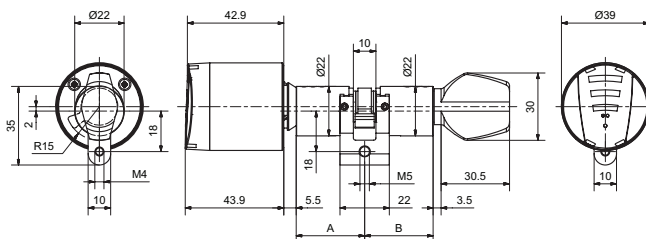
- NET Repeater Plus
- Mount for wall fastening, fixing screws and anchors
- Instruction manual

82850 · 1 · 2 3 · 4

1 Power supply	2 Housing	3 Antennas	4 Mounting
11 external, bus	30 black 31 white	02 2 antennas	01 wall mounting

83202 double-knob E cylinder

EM / RZ



Product profile

Battery-operated electronic cylinder for interior and exterior doors. The standard solution enables temporally limited, individually programmable access. Opening and closing from outside is done by contactless reading of the RFID medium and subsequent turning of the knob. Opening and closing from the inside is always assured with the mechanical knob.

Scope of supply

- E-knob for E-cylinder, including batteries
- E-module
- Mechanical knob

Standard version

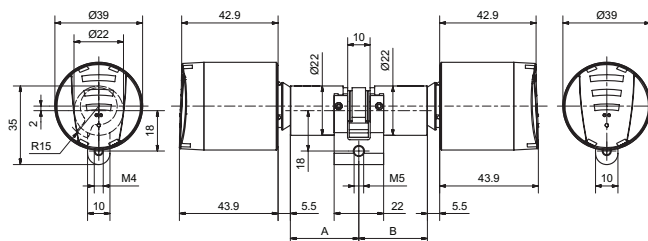
- Exterior E knob with access control function and battery
- Interior with mechanical knob
- Identification via RFID Mifare DESfire EV1 (ISO 14443A)
- Programming via media or wireless access (868 MHz)
- Protection class: IP65, EN 15684* (* in preparation)
- Security: Predetermined breaking point on the knob, anti-drilling and core extraction protection, 3DES encryption

83202 · 1 · 2 · 3 · 4 · 5 · 6 · 7 · 8

1 Version	2 Length A (Outside)	3 Length B (inside)	4 Surface Outside 5 Surface inside	6 Security	7 Knob type	8 Reading system
S Standard	31,0 mm (Base length)	31,0 mm (Base length)	0 Nickel plated	0 Standard	1 Glutz knob	0 Mifare
M Pinion 10	36,0 mm (+05mm)	36,0 mm (+05mm)	1 Nickel polished			
I Biffar	41,0 mm (+10mm)	41,0 mm (+10mm)	2 Brass polished			
Q Pinion 18	46,0 mm (+15mm)	46,0 mm (+15mm)				
	51,0 mm (+20mm)	51,0 mm (+20mm)				
	56,0 mm (+25mm)	56,0 mm (+25mm)				
	61,0 mm (+30mm)	61,0 mm (+30mm)				
	66,0 mm (+35mm)	66,0 mm (+35mm)				
	71,0 mm (+40mm)	71,0 mm (+40mm)				
	76,0 mm (+45mm)	76,0 mm (+45mm)				
	81,0 mm (+50mm)	81,0 mm (+50mm)				
	86,0 mm (+55mm)	86,0 mm (+55mm)				
	91,0 mm (+60mm)	91,0 mm (+60mm)				

83204 E double-knob cylinder

EE / RZ



Product profile

Battery-operated electronic cylinder for interior and exterior doors. Opening and closing from outside and inside take place with contact reading of the medium, such as a key tag or chip card, and then the turning of the knob.

Standard version

- Exterior E-knob with access control function and battery
- Interior E-knob with access control function and battery
- Identification via RFID Mifare DESfire EV1 (ISO 14443A)
- Programming via media or wireless access (868 MHz)
- Protection class: IP65, EN 15684 (in preparation)
- Security: Predetermined breaking point on the outside knob, anti-drilling protection, core extraction protection, 3DES encryption

Scope of supply

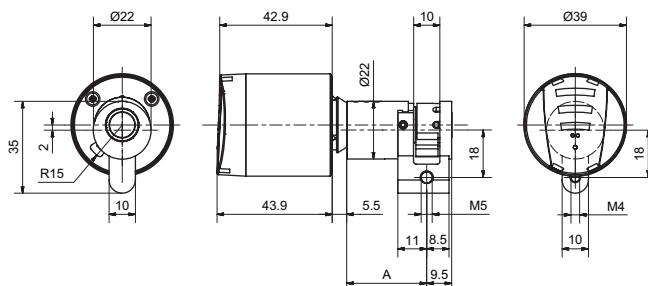
- E-knobs for E-cylinder, including batteries
- E-Modules

83204 • 1 • 2 • 3 • 4 • 5 • 6 • 7 • 8

1 Version	2 Length A (Outside)	3 Length B (inside)	4 Surface Outside 5 Surface inside	6 Security	7 Knob type	8 Reading system
S Standard	31,0 mm (Base length)	31,0 mm (Base length)	0 Nickel plated	0 Standard	1 Glutz knob	0 Mifare
M Pinion 10	36,0 mm (+05mm)	36,0 mm (+05mm)	1 Nickel polished			
I Biffar	41,0 mm (+10mm)	41,0 mm (+10mm)	2 Brass polished			
Q Pinion 18	46,0 mm (+15mm)	46,0 mm (+15mm)				
	51,0 mm (+20mm)	51,0 mm (+20mm)				
	56,0 mm (+25mm)	56,0 mm (+25mm)				
	61,0 mm (+30mm)	61,0 mm (+30mm)				
	66,0 mm (+35mm)	66,0 mm (+35mm)				
	71,0 mm (+40mm)	71,0 mm (+40mm)				
	76,0 mm (+45mm)	76,0 mm (+45mm)				
	81,0 mm (+50mm)	81,0 mm (+50mm)				
	86,0 mm (+55mm)	86,0 mm (+55mm)				
	91,0 mm (+60mm)	91,0 mm (+60mm)				

83206 E half-knob cylinder

RZ



Product profile

Battery-operated electronic cylinder for interior and exterior doors. Opening and closing from outside take place with contact reading of the medium, such as a key tag or chip card, and then the turning of the knob.

Standard version

- Exterior E-knob with access control function and battery
- identification via RFID Mifare DESfire EV1 (ISO 14443A)
Programming via media or wireless access (868 MHz)
- Protection class: IP65, EN 15684 (in preparation)
Security: Predetermined breaking point on the outside knob, anti-drilling protection, core extraction protection, 3DES encryption

Scope of supply

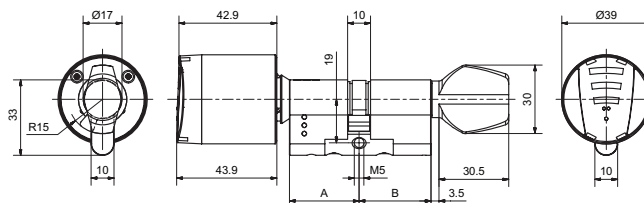
- E-knob for E-cylinder, including batteries
- E-module

83206 · 1 · 2 · 3 · 4 · 5 · 6 · 7 · 8

1 Version	2 Length A (Outside)	3 Length B (inside)	4 Surface Outside 5 Surface inside	6 Security	7 Knob type	8 Reading system
S Standard	31,0 mm (Base length)	00,0 Half cylinder	0 Nickel plated 1 Nickel polished 2 Brass polished	0 Standard	1 Glutz knob	0 Mifare
M Pinion 10	36,0 mm (+05mm)					
I Biffar	41,0 mm (+10mm)					
Q Pinion 18	46,0 mm (+15mm)					
	51,0 mm (+20mm)					
	56,0 mm (+25mm)					
	61,0 mm (+30mm)					
	66,0 mm (+35mm)					
	71,0 mm (+40mm)					
	76,0 mm (+45mm)					
	81,0 mm (+50mm)					
	86,0 mm (+55mm)					
	91,0 mm (+60mm)					

83302 E double-knob cylinder

EM / PZ



Product profile

Battery-operated electronic cylinder for interior and exterior doors. Opening and closing from outside take place with contact reading of the medium, such as a key tag or chip card, and then the turning of the knob. Opening and closing from the inside is always assured with the mechanical knob.

Standard version

- Exterior E-knob with access control function and battery
- Identification via RFID Mifare DESfire EV1 (ISO 14443A)
- Programming via media or wireless access (868 MHz)
- Interior with mechanical knob
- Protection class: IP65, EN 15684 (in preparation)
- Security: Predetermined breaking point on the outside knob, rotation brake, anti-drilling protection, core extraction protection, 3DES encryption

- Installation only possible in correct position

Scope of supply

- E-knob for E-cylinder, including batteries
- E-module
- Mechanical knob
- E-knob for E-cylinder, including batteries
- E-module
- Mechanical knob

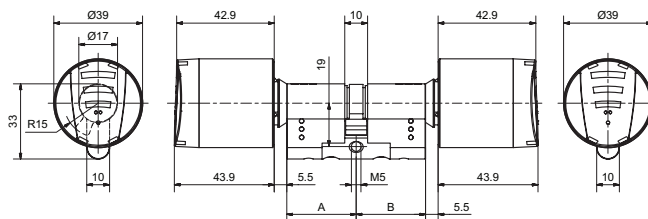
83302 · 1 · 2 · 3 · 4 · 5 · 6 · 7 · 8

1 Version	2 Length A (Outside)	3 Length B (inside)	4 Surface Outside 5 Surface inside	6 Security	7 Knob type	8 Reading system
S Standard	31,0 mm (Base length)	31,0 mm (Base length)	0 Nickel plated	0 Standard	1 Glutz knob	0 Mifare
L FZG	36,0 mm (+05mm)	36,0 mm (+05mm)	1 Nickel polished			
F FAP	41,0 mm (+10mm)	41,0 mm (+10mm)	2 Brass polished			
M Pinion 10	46,0 mm (+15mm)	46,0 mm (+15mm)				
I Biffar	51,0 mm (+20mm)	51,0 mm (+20mm)				
Q Pinion 18	56,0 mm (+25mm)	56,0 mm (+25mm)				
	61,0 mm (+30mm)	61,0 mm (+30mm)				
	66,0 mm (+35mm)	66,0 mm (+35mm)				
	71,0 mm (+40mm)	71,0 mm (+40mm)				
	76,0 mm (+45mm)	76,0 mm (+45mm)				
	81,0 mm (+50mm)	81,0 mm (+50mm)				
	86,0 mm (+55mm)	86,0 mm (+55mm)				
	91,0 mm (+60mm)	91,0 mm (+60mm)				

FZG: Freewheeling function for freewheeling locks, FAP: anti-panic function, Follower reset for panic locks, minimum length on one side 61mm

83304 double-knob E cylinder

EE / PZ



Product profile

Battery-operated electronic cylinder for interior and exterior doors. Opening and closing from outside and inside is done by contactless reading of the RFID medium and subsequent turning of the knob.

Standard version

- Exterior E knob with access control function and battery
- Interior E knob with access control function and battery
- Identification via RFID Mifare DESfire EV1 (ISO 14443A)
- Programming via media or wireless access (868 MHz)
- Protection class: IP65, EN 15684 (in preparation)
- Security: Predetermined breaking point on the knob, rotation brake, anti-drilling and core extraction protection, 3DES encryption
- Installation only possible in correct position

Scope of supply

- E-knobs for E-cylinder, including batteries
- E-Module

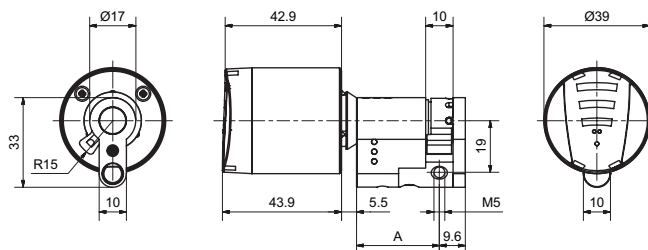
83304 · 1 · 2 · 3 · 4 · 5 · 6 · 7 · 8

1 Version	2 Length A (Outside)	3 Length B (inside)	4 Surface Outside 5 Surface inside	6 Security	7 Knob type	8 Reading system
S Standard	31,0 mm (Base length)	31,0 mm (Base length)	0 Nickel plated	0 Standard	0 no mech. Knob	0 Mifare
L FZG	36,0 mm (+05mm)	36,0 mm (+05mm)	1 Nickel polished			
F FAP	41,0 mm (+10mm)	41,0 mm (+10mm)	2 Brass polished			
M Pinion 10	46,0 mm (+15mm)	46,0 mm (+15mm)				
I Biffar	51,0 mm (+20mm)	51,0 mm (+20mm)				
Q Pinion 18	56,0 mm (+25mm)	56,0 mm (+25mm)				
	61,0 mm (+30mm)	61,0 mm (+30mm)				
	66,0 mm (+35mm)	66,0 mm (+35mm)				
	71,0 mm (+40mm)	71,0 mm (+40mm)				
	76,0 mm (+45mm)	76,0 mm (+45mm)				
	81,0 mm (+50mm)	81,0 mm (+50mm)				
	86,0 mm (+55mm)	86,0 mm (+55mm)				
	91,0 mm (+60mm)	91,0 mm (+60mm)				

FZG: Freewheeling function for freewheeling locks, FAP: anti-panic function, Follower reset for panic locks, minimum length on one side 61mm

83306 E half-knob cylinder

PZ



Product profile

Battery-operated electronic cylinder for interior and exterior doors. Opening and closing from outside take place with contact reading of the medium, such as a key tag or chip card, and then the turning of the knob

Scope of supply

- E-knob for E-cylinder, including batteries
- E-module

Standard version

- Exterior E knob with access control function and battery
- Identification via RFID Mifare DESfire EV1 (ISO 14443A)
- Programming via media or wireless access (868 MHz)
- Protection class: IP65, EN 15684 (in preparation)
- Security: Predetermined breaking point on the outside knob, rotation brake, anti-drilling protection, core extraction protection, 3DES encryption
- Installation only possible in correct position

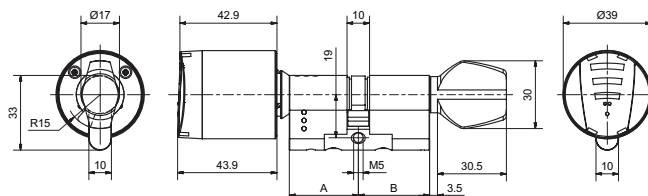
83306 · 1 · 2 · 3 · 4 · 5 · 6 · 7 · 8

1 Version	2 Length A (Outside)	3 Length B (inside)	4 Surface Outside 5 Surface inside	6 Security	7 Knob type	8 Reading system
S Standard	31,0 mm (Base length)	00,0 Half cylinder	0 Nickel plated	0 Standard	0 no mech. Knob	0 Mifare
L FZG	36,0 mm (+05mm)		1 Nickel polished			
F FAP	41,0 mm (+10mm)		2 Brass polished			
M Pinion 10	46,0 mm (+15mm)					
I Biffar	51,0 mm (+20mm)					
Q Pinion 18	56,0 mm (+25mm)					
	61,0 mm (+30mm)					
	66,0 mm (+35mm)					
	71,0 mm (+40mm)					
	76,0 mm (+45mm)					
	81,0 mm (+50mm)					
	86,0 mm (+55mm)					
	91,0 mm (+60mm)					

FZG: Freewheeling function for freewheeling locks, FAP: anti-panic function, Follower reset for panic locks, minimum length: 61mm

83382 E double-knob cylinder

EM / PZ / FLU



Product profile

Battery-operated electronic cylinder for interior and exterior doors. Opening and closing from outside take place with contact reading of the medium, such as a key tag or chip card, and then the turning of the knob. Opening and closing from the inside is always assured with the mechanical knob.

Scope of supply

- E-knob for E-cylinder, including batteries
- batteries
- Mechanical knob

Standard version

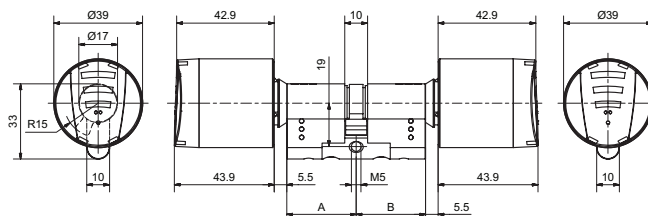
Exterior E knob with access control function and battery
 Identification via RFID Mifare DESfire EV1 (ISO 14443A)
 Programming via media or wireless access (868 MHz)
 Interior with mechanical knob
 Protection class: IP65, EN 15684 (in preparation)
 Security: Predetermined breaking point on the outside knob, anti-drilling protection, core extraction protection, 3DES encryption
 Installation possible in arbitrary position

83382 · 1 · 2 · 3 · 4 · 5 · 6 · 7 · 8

1 Version	2 Length A (Outside)	3 Length B (inside)	4 Surface Outside 5 Surface inside	6 Security	7 Knob type	8 Reading system
S Standard	31,0 mm (Base length)	31,0 mm (Base length)	0 Nickel plated	0 Standard	1 Glutz knob	0 Mifare
M Pinion 10	36,0 mm (+05mm)	36,0 mm (+05mm)	1 Nickel polished			
I Biffar	41,0 mm (+10mm)	41,0 mm (+10mm)	2 Brass polished			
Q Pinion 18	46,0 mm (+15mm)	46,0 mm (+15mm)				
	51,0 mm (+20mm)	51,0 mm (+20mm)				
	56,0 mm (+25mm)	56,0 mm (+25mm)				
	61,0 mm (+30mm)	61,0 mm (+30mm)				
	66,0 mm (+35mm)	66,0 mm (+35mm)				
	71,0 mm (+40mm)	71,0 mm (+40mm)				
	76,0 mm (+45mm)	76,0 mm (+45mm)				
	81,0 mm (+50mm)	81,0 mm (+50mm)				
	86,0 mm (+55mm)	86,0 mm (+55mm)				
	91,0 mm (+60mm)	91,0 mm (+60mm)				

83384 E double-knob cylinder

EE / PZ / FLU



Product profile

Battery-operated electronic cylinder for interior and exterior doors. Opening and closing from outside take place with contact reading of the medium, such as a key tag or chip card, and then the turning of the knob. Opening and closing from the inside is always assured with the mechanical knob.

Standard version

- Exterior E knob with access control function and battery
- Interior E knob with access control function and battery
- Identification via RFID Mifare DESfire EV1 (ISO 14443A)
- Programming via media or wireless access (868 MHz)
- Protection class: IP65, EN 15684 (in preparation)
- Security: Predetermined breaking point on the outside knob, anti-drilling protection, core extraction protection, 3DES encryption
- Installation possible in arbitrary position

Scope of supply

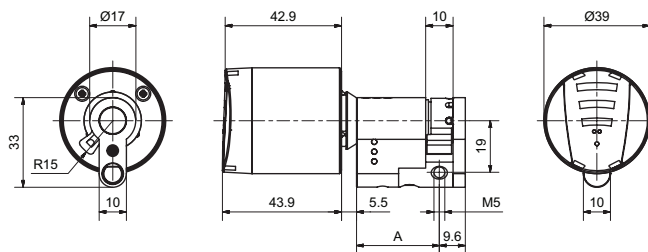
- E-knobs and E-Module for E-cylinder, including batteries

83384 · 1 · 2 · 3 · 4 · 5 · 6 · 7 · 8

1 Version	2 Length A (Outside)	3 Length B (inside)	4 Surface Outside 5 Surface inside	6 Security	7 Knob type	8 Reading system
S Standard	31,0 mm (Base length)	31,0 mm (Base length)	0 Nickel plated	0 Standard	1 Glutz knob	0 Mifare
M Pinion 10	36,0 mm (+05mm)	36,0 mm (+05mm)	1 Nickel polished			
I Biffar	41,0 mm (+10mm)	41,0 mm (+10mm)	2 Brass polished			
Q Pinion 18	46,0 mm (+15mm)	46,0 mm (+15mm)				
	51,0 mm (+20mm)	51,0 mm (+20mm)				
	56,0 mm (+25mm)	56,0 mm (+25mm)				
	61,0 mm (+30mm)	61,0 mm (+30mm)				
	66,0 mm (+35mm)	66,0 mm (+35mm)				
	71,0 mm (+40mm)	71,0 mm (+40mm)				
	76,0 mm (+45mm)	76,0 mm (+45mm)				
	81,0 mm (+50mm)	81,0 mm (+50mm)				
	86,0 mm (+55mm)	86,0 mm (+55mm)				
	91,0 mm (+60mm)	91,0 mm (+60mm)				

83386 E half-knob cylinder

PZ / FLU



Product profile

Battery-operated electronic cylinder for interior and exterior doors. Opening and closing from outside take place with contact reading of the medium, such as a key tag or chip card, and then the turning of the knob. Opening and closing from the inside is always assured with the mechanical knob.

Scope of supply

- E-knob for E-cylinder, including batteries
- E-module

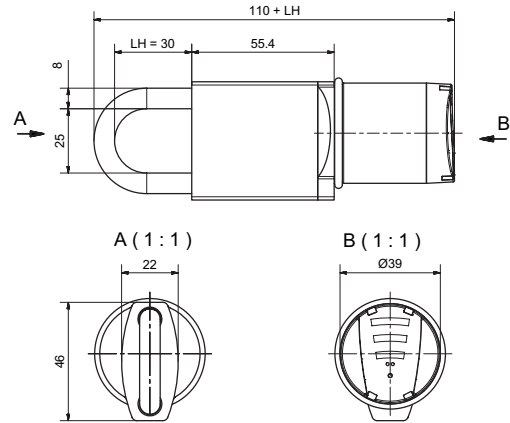
Standard version

- Exterior E knob with access control function and battery Identification via RFID Mifare DESfire EV1 (ISO 14443A) Programming via media or wireless access (868 MHz) Protection class: IP65, EN 15684 (in preparation) Security: Predetermined breaking point on the outside knob, anti-drilling protection, core extraction protection, 3DES encryption Installation possible in arbitrary position

83386 · 1 · 2 · 3 · 4 · 5 · 6 · 7 · 8

1 Version	2 Length A (Outside)	3 Length B (inside)	4 Surface Outside 5 Surface inside	6 Security	7 Knob type	8 Reading system
S Standard	31,0 mm (Base length)	31,0 mm (Base length)	0 Nickel plated	0 Standard	1 Glutz knob	0 Mifare
M Pinion 10	36,0 mm (+05mm)	36,0 mm (+05mm)	1 Nickel polished			
I Biffar	41,0 mm (+10mm)	41,0 mm (+10mm)	2 Brass polished			
Q Pinion 18	46,0 mm (+15mm)	46,0 mm (+15mm)				
	51,0 mm (+20mm)	51,0 mm (+20mm)				
	56,0 mm (+25mm)	56,0 mm (+25mm)				
	61,0 mm (+30mm)	61,0 mm (+30mm)				
	66,0 mm (+35mm)	66,0 mm (+35mm)				
	71,0 mm (+40mm)	71,0 mm (+40mm)				
	76,0 mm (+45mm)	76,0 mm (+45mm)				
	81,0 mm (+50mm)	81,0 mm (+50mm)				
	86,0 mm (+55mm)	86,0 mm (+55mm)				
	91,0 mm (+60mm)	91,0 mm (+60mm)				

83400 E padlock



Product profile

The eAccess padlock with a shackle made of tempered steel is suitable for securing barrier systems, roller shutters, depots and archive containers.

- Seals
- Batteries (fitted in the knob)

Standard version

- Identification via RFID Mifare DESfire EV 1 (ISO 14443A)
- Programming via media or wireless access (868 MHz)
- Surface: Nickel
- Dimensions: 110 + LH x 46 x 22 mm (H x W x D)
- Protection class: IP65, EN 15684 (in preparation)
- Safety: Predetermined breaking point on the outside knob, anti-drilling protection, core extraction protection, 3DES encryption

Scope of supply

- Padlock including knob

83400 · 1 · 2

1 Shackle version	2 Shackle length
0 Hardened	0 30 mm
	1 50 mm
	2 70 mm
	3 100 mm

86330 Card programmig

SINGLE Basic



Product profile

Card programming set

Standard version

- 1 x system card SINGLE (*)
- 1 x plus card SINGLE (+)
- 1 x minus card SINGLE (-)

86111 Card programming set

SINGLE Advance



Product profile

Card programming set with all function cards.

Standard version

- 1 x system card SINGLE (*)
- 1 x plus card SINGLE (+)
- 1 x minus card SINGLE (-)
- 1 x Freepass card ()
- 1 x Pairing card (1+1)
- 10 x Number card (0-9)

86121 Software programmig set SINGLE



Product profile

Software programming set with NET wireless dongle and system card.

Scope of supply

- 1 x system card SINGLE (*)
- 1 x NET wireless dongle

82650 NET wireless dongle



Product profile

Programming of the eAccess system with software

Detection of media with integrated RFID reader

Standard version

Carrier of safety-related data

Reading and writing of RFID media Mifare DESfire EV 1 (ISO 14443A)

Programming via wireless access (868 MHz) USB interface (USB 2.0)

85101 G-Line Card



Standard version

Identification badge

MIFARE DESfire EV1, 4KB

Standard layout with ID-number

Dimensions: 86 x 54 mm

85501 G-Line Clip

black



Standard version

Key fob

MIFARE DESfire EV1, 4KB

Bespoke design with ID-number

Dimensions: 55 x 36,2 x 7 mm

Water-resistant to 3 m

85511 G-Line Clip

white



Standard version

Key fob

MIFARE DESfire EV1, 4KB

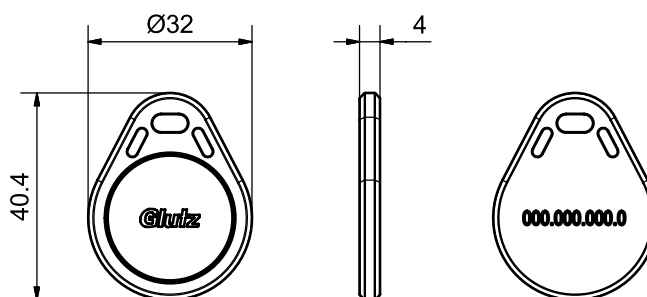
Bespoke design with ID-number

Dimensions: 55 x 36,2 x 7 mm

Water-resistant to 3 m

85705 G-Line Classic Clip

Blue



Standard version

Key fob

MIFARE DESfire EV1, 4KB

Classic design with ID-number

Dimensions: 41 x 32 x 4 mm

85701 G-Line Self-adhesive tag



Product profile

Self-adhesive RFID medium for mounting on normal and metal surfaces.

Ideal for use on mobile devices, school bags etc.

Standard version

- Self-adhesive RFID-tag
- MIFARE DESfire EV1, 4KB
- White with ID number
- Dimensions: 25mm diameter

87041 NET-Radio stick pedestal with cable 1 m,USB 2.0



Symbol image

Package

- Pedestal
- USB cable 1m

87202 Lithium round battery set AAA for E-protection fitting



Product profile

Lithium type AAA, 1.5 V

Scope of supply

- Package unit: 4 pcs.

87203 Battery-Power-Pack to E-organisation hardware

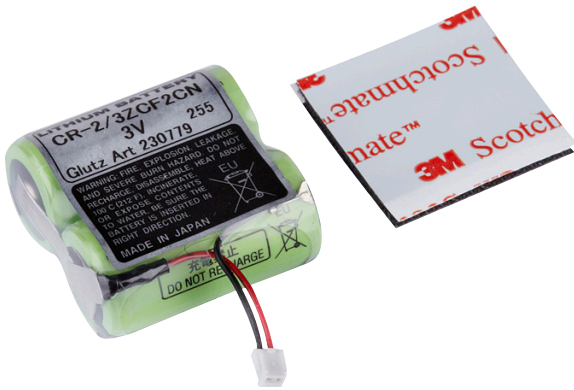


Product profile

Lithium 3V

Packaging unit: 1 SET with two batteries assembled

87204 Battery-Power-Pack to E-reader and E-organisation hardware ES1



Product profile

Lithium 3V, with velcro fixing

Packaging unit: 1 SET of two batteries assembled

87219 Emergency power set complete with 9 volt battery and cable



Product profile

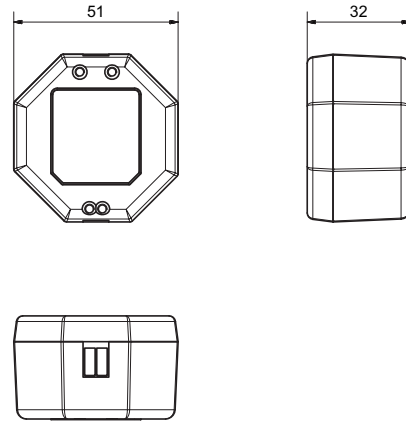
Emergency power set for power supply from outside.
Suitable for E protection fitting, E organisation fitting and E-cylinders

Scope of supply

Emergency power cable
9V battery
Instruction manual

87302 Power supply

24 V DC / 6 W for standard distribution boxes



Product profile

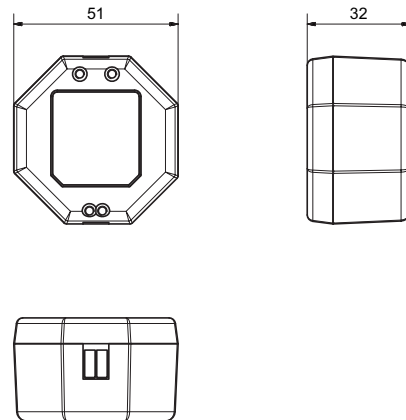
Switching power supply for standard junction boxes.

Standard version

- Input voltage: 230 V AC \pm 10%
- Output voltage: 24 V DC, \pm 5%
- Output current: max. 0.250 A
- Power: 6 W
- Electronic overload/short circuit protection
- Dimensions: 50 x 26 x 50 mm (W x H x D)

87304 Power supply

24 V DC / 6 W for standard distribution boxes



Product profile

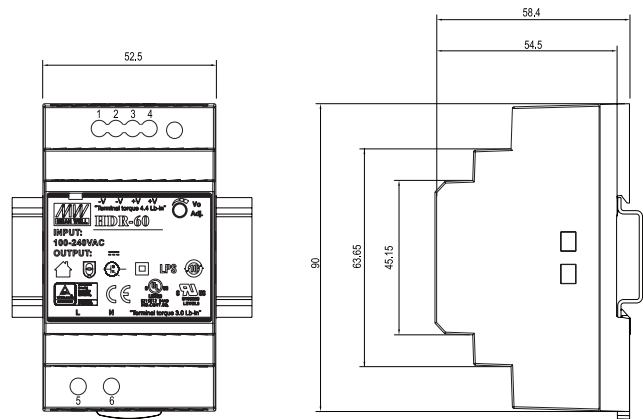
Switching power supply for standard junction boxes.

Standard version

- Input voltage: 230 V AC \pm 10%
- Output voltage: 12 V DC, \pm 5%
- Output current: max. 0.500 A
- Power: 6 W
- Electronic overload/short circuit protection
- Dimensions: 50 x 26 x 50 mm (W x H x D)

87305.12 Mains adapter

12 V DC / 60 W for DIN rail mounting



Product profile

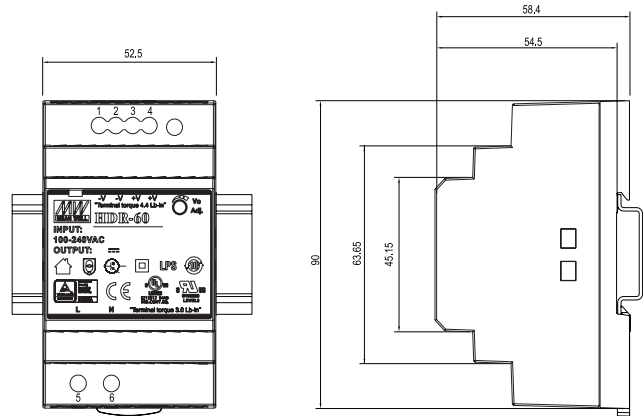
Switching power supply for DIN / top hat rail mounting

Standard version

- Input voltage: 85-264 V AC
- Output voltage: 12 V DC, electronically regulated
- Output current: max. 4.5 A
- Power: 60 W
- Dimensions: 53 x 90 x 59 mm (W x H x D)

87305.24 Mains adapter

24 V DC / 60 W for DIN rail mounting



Product profile

Switching power supply for DIN / top hat rail mounting

Standard version

- Input voltage: 85-264 V AC
- Output voltage: 24 V DC, electronically regulated
- Output current: max. 2.5 A
- Power: 60 W
- Dimensions: 53 x 90 x 59 mm (W x H x D)

87306.24 Power supply 230V AC / 24V DC - 1A

without connectors



Product profile

Power supply with open ends. For NET-Gateways and NET-Repeaters.

Standard version

- 230 V AC
- 24 V DC - 1A
- without connectors
- Plus pole is marked with a red flag

87853 Battery set for E cylinder

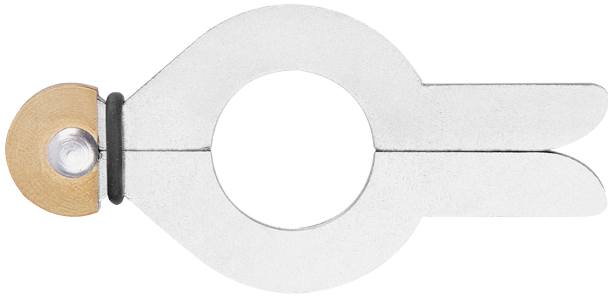
Lithium Typ CR2 3V



Scope of supply
2 pieces

87852 Tool for battery change

For E cylindres

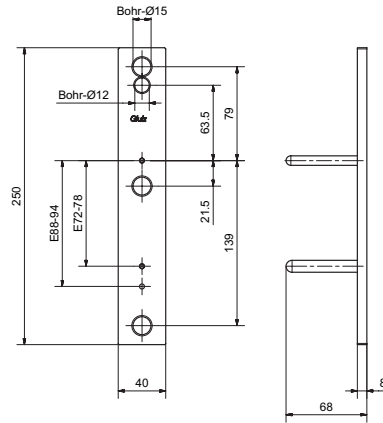


50996.21 Drilling template

For E organisation hardware distance 79/139 mm



symbol picture

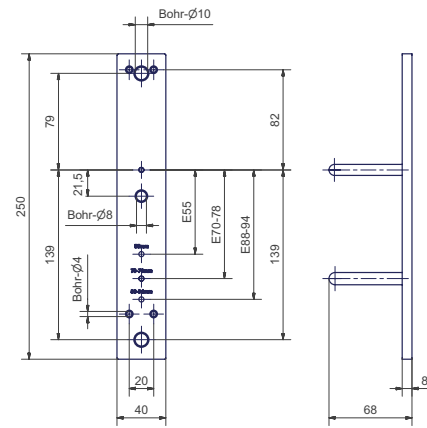


59045 Drilling template

For E organisation hardware distance 79/139 mm



symbol picture

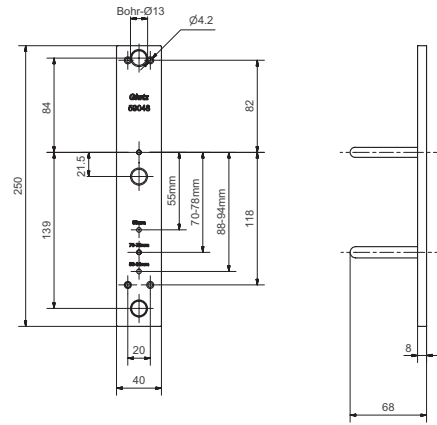


59048 Drilling template

For E organisation hardware distance 79/139 mm



symbol picture

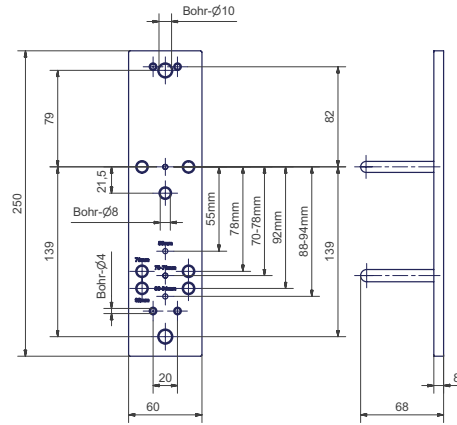


59050 Drilling template

For E organisation hardware distance des roses 78/92 mm



symbol picture

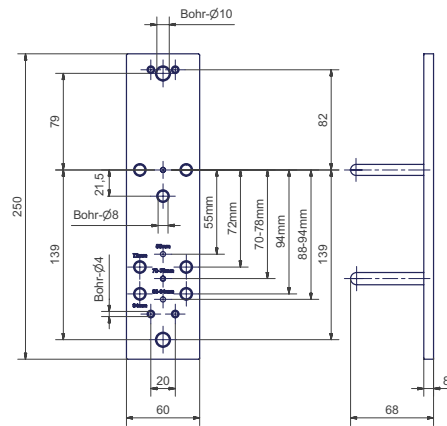


59051 Drilling template

For E organisation hardware distance des roses 72/94 mm



symbol picture

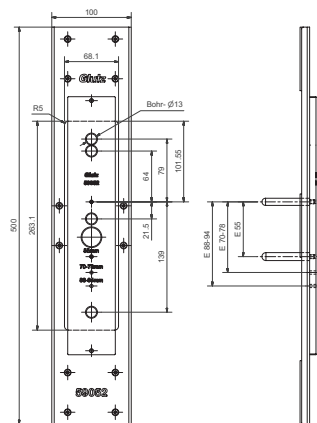


59052 Drilling template

For E-protection hardware distance 79/139 mm for flush mounting



symbol picture

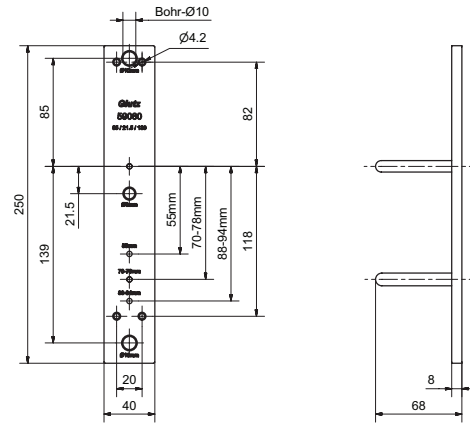


59060 Drilling template

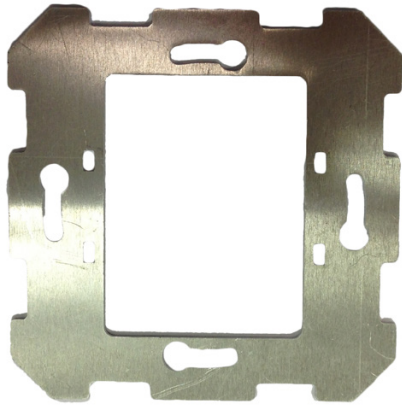
For E-organisation hardware distance 85/21.5/139 mm



symbol picture



87802 EU socket mounting plate for E-Readers



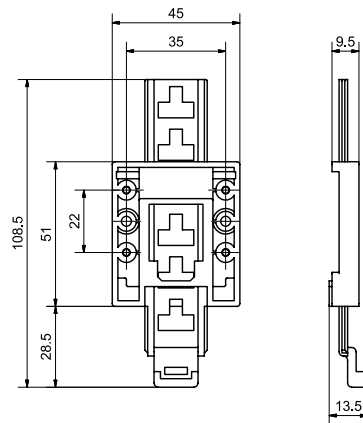
Product profile

Adapter plate for mounting E-readers in standard EU sockets (with top/bottom fixing)

Important note

Only suitable for use with IP40 readers

87812 Mounting rail holder for mounting of I/O modules on DIN mounting rails



Product profile

Mounting rail holder for fixing on I/O modules (surface-mounted)
for mounting on DIN mounting rails

Scope of supply

- Mounting rail holder
- Screws for fixing



Glutz AG

Segetzstrasse 13, 4502 Solothurn, Schweiz
Tel. +41 32 625 65 20, Fax +41 32 625 65 35
info@glutz.com, www.glutz.com

Glutz Deutschland GmbH

Schmalenhofer Strasse 1, 42551 Velbert, Deutschland
Tel. +49 2051 8013 51-0, Fax +49 2051 8013 51-15
info-de@glutz.com, www.glutz.com

Glutz GmbH Österreich

St. Oswalder Strasse 5c, 4293 Gutau, Österreich
Tel. +43 7946 20506, Fax +43 7946 20506-10
info-at@glutz.com, www.glutz.com

Glutz UK Ltd.

11 Finch Drive, Springwood Industrial Estate
Braintree CM7 2SF, United Kingdom
Tel. +44 1376 348 808, Fax +44 1376 348 848
info-uk@glutz.com, www.glutz.com

V1019