

QNO-8080R

5MP Network IR Bullet Camera

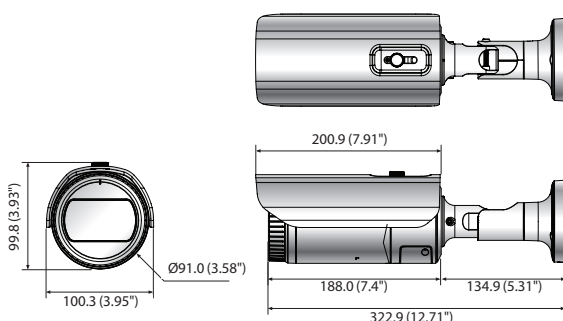


Key Features

- Max. 5Megapixel (2592 x 1944) resolution
- 3.2~10mm(3.1x) motorized varifocal lens
- 0.15Lux (Color), 0Lux (B/W, IR LED on)
- Max. 30fps@5MP (H.265 / H.264)
- H.265, H.264, MJPEG codec support, Multiple streaming
- Day & Night, WDR (120dB)
- Tampering, Motion detection, Defocus detection
- Micro SD / SDHC / SDXC memory slot (Max. 128GB)
- Hallway view, WiseStream II support
- IR Viewable length 30m
- IP66, IK10, PoE

Dimensions

Unit : mm (inch)



Accessories (Optional)



SBO-126B



SBP-302PM

QNO-8080R

VIDEO	
Imaging Device	1/2.8" 5MP CMOS
Effective Pixels	2592(H) x 1944(V)
Min. Illumination	Color : 0.15Lux (F1.6, 1/30sec) BW : 0Lux (IR LED on)
Video Out	CVBS : 1.0 Vp-p / 75Ω composite, 720 x 480(N), 720 x 576(P) for installation
LENS	
Focal Length (Zoom Ratio)	3.2~10mm (3.1x) motorized varifocal
Max. Aperture Ratio	F1.6 (Wide)~F2.9 (Tele)
Angular Field of View	H : 100.3°(Wide)~31.2°(Tele) / V : 72.3°(Wide)~23.5°(Tele) / H : 133.1°(Wide)~38.8°(Tele)
Focus Control	Simple focus
PAN / TILT / ROTATE	
Pan / Tilt / Rotate Range	0°~350° / 0°~67° / 0°~355°
OPERATIONAL	
IR Viewable Length	30m (98.42ft)
Camera Title	Displayed up to 85 characters
Day & Night	Auto (ICR)
Backlight Compensation	BLC, WDR, SSSDR
Wide Dynamic Range	120dB
Digital Noise Reduction	SSNR
Motion Detection	4ea, polygonal zones
Privacy Masking	6ea, rectangular zones
Gain Control	Low / Middle / High
White Balance	ATW / AWC / Manual / Indoor / Outdoor
LDC	Support
Electronic Shutter Speed	Minimum / Maximum / Anti flicker (1/5~1/12,000sec)
Video Rotation	Flip, Mirror, Hallway view (90°/270°)
Analytics	Defocus detection, Directional detection, Motion detection, Enter/Exit, Tampering, Virtual line
Alarm I/O	Input 1ea / Output 1ea
Alarm Triggers	Analytics, Network disconnect, Alarm input
Alarm events	File upload via FTP and e-mail, Notification via e-mail, SD/SDHC/SDXC or NAS recording at event triggers, Alarm output
NETWORK	
Ethernet	RJ-45 (10/100BASE-T)
Video Compression	H.265/H.264 : Main/High, MJPEG
Resolution	2592 x 1944, 1920 x 1080, 1280 x 960, 1280 x 720, 800 x 600, 800 x 448, 720 x 576, 720 x 480, 640 x 480, 640 x 360
Max. Framerate	H.265/H.264 : Max. 30fps/25fps (60Hz/50Hz) / MJPEG : Max. 15fps/12fps (60Hz/50Hz)
Smart Codec	WiseStream II
Video Quality Adjustment	H.264/H.265 : Target bitrate level control / MJPEG : Quality level control
Bitrate Control	H.264/H.265 : CBR or VBR / MJPEG: VBR
Streaming	Unicast(6 users) / Multicast / Multiple streaming (Up to 3 profiles)
Protocol	IPv4, IPv6, TCP/IP, UDP/IP, RTP(UDP), RTP(TCP), RTCP, RTSP, NTP, HTTP, HTTPS, SSL/TLS, DHCP, FTP, SMTP, ICMP, IGMP, SNMPv1/v2c/v3(MIB-2), ARP, DNS, DDNS, QoS, UPnP, Bonjour, LLDP
Security	HTTPS(SSL) login authentication, Digest login authentication, IP address filtering, User access log, 802.1X authentication(EAP-TLS, EAP-LEAP)
Edge Storage	Micro SD/SDHC/SDXC 1slot 128GB
Application Programming Interface	ONVIF Profile S/G/T SUNAPI (HTTP API) Wisenet open platform
Webpage Language	English, Korean, Chinese, French, Italian, Spanish, German, Japanese, Russian, Swedish, Portuguese, Czech, Polish, Turkish, Dutch

QNO-8080R

Web Viewer	Supported OS : Windows 7, 8.1, 10, Mac OS X 10.10, 10.11, 10.12, 10.13, 10.14 Recommended Browser : Google Chrome Supported Browser : MS Explorer11, MS Edge, Mozilla Firefox (Windows 64bit only), Apple Safari(Mac OS X only)
Memory	512MB RAM, 256MB Flash
ENVIRONMENTAL	
Operating Temperature / Humidity	-30°C ~ +55°C (-22°F ~ +131°F) / Less than 90% RH * Start up should be done at above -20°C
Storage Temperature / Humidity	-30°C ~ +60°C (-22°F ~ +140°F) / Less than 90% RH
Certification	IP66, IK10
ELECTRICAL	
Input Voltage	PoE (IEEE802.3af, Class3)
Power Consumption	PoE : Max 9.5W, typical 7.3W
MECHANICAL	
Color / Material	Dark grey / Aluminum
Product dimensions / weight	Ø91 x 322.9mm (Ø3.58x12.71"), 1190g (2.624 lb)

* The latest product information / specification can be found at hanwha-security.com

* Design and specifications are subject to change without notice.

* Wisenet is the proprietary brand of **Hanwha Techwin**.