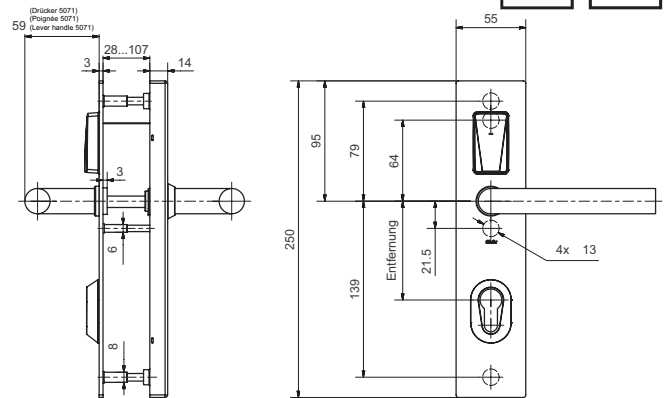
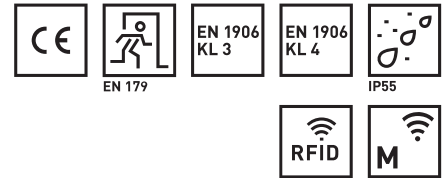


## 80225 E Protection Fitting

Public - Steel



### Product profile

Battery-operated electronic security plate for interior and exterior solid-leaf doors. Opening and closing from outside take place with contact reading of the RFID-medium. Door opening is always assured with the interior lever handle; EN179-compliant with suitable lever handle.

### Standard version

- For DIN left-hand/right-hand doors
- Identification via RFID Mifare DESfire EV 1 (ISO 14443A)
- Programming via media or wireless access (868 MHz)
- Exterior lever handle engaged, lever handle blocked

### Scope of supply

- E-fitting incl. square spindle
- Lever handle pair
- Screw set
- 4 x AAA lithium battery
- Quick guide

### Standards

- EN 1906 : 2012
- DIN 18257 : 2003

80225 · ① · ② · ③ · ④ · ⑤ · ⑥ · ⑦ · ⑧ · ⑨

① Power supply	② Cut-out outs.	④ Distance	⑤ Lever handle design	⑥ Square spindle	⑦ Surface	⑧ Door thickness	⑨ Protection rose
00 Lithium Battery	0 Blind	00 Blind	11 5057 Thun	8 8 mm	00 Satin stainless steel	01 34 to 43 mm	00 Blind
11 External, bus	2 RZ	70 70 mm	12 5062 New Orleans	5 8,5 mm	11 Polished stain. steel	02 44 to 53 mm	01 Steel 7 mm
	3 PZ	72 72 mm	13 5064 Oslo	9 9 mm	22 Polished brass	03 54 to 63 mm	02 Steel 9 mm
	4 PRZ	74 74 mm	14 5066 Savannah		33 Satin brass	04 64 to 73 mm	03 Steel 10 mm
		78 78 mm	15 5071 Memphis		44 Anti-bacterial	05 74 to 83 mm	04 Steel 11 mm
		85 85 mm	16 5087 Basel		55 Wrought iron look	06 84 to 93 mm	05 Steel 13 mm
		88 88 mm	17 5098 Olten		99 Spec. execution	07 94 to 103 mm	06 Steel 15 mm
		90 90 mm	18 5038 Lugano			08 104 to 113 mm	07 Steel 17 mm
		92 92 mm	35 5040 Merkur				08 Steel 19 mm
		94 94 mm	37 50040 Merkur				09 Steel 21 mm
			40 50070 Appenzell				10 Steel 23 mm
			41 50071 Appenzell				11 Cylinder cut-out 3 mm
			99 Spec. execution				

RZ: 74, 78, 90, 94 mm; PZ: 70, 72, 78, 85, 88, 90, 92 mm; PRZ: 74, 78, 90, 94 mm